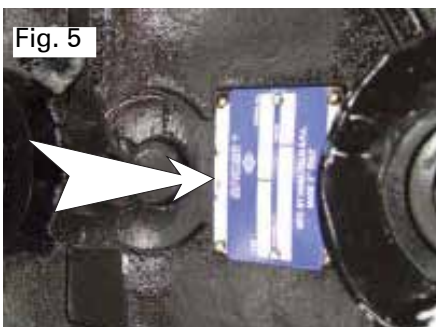
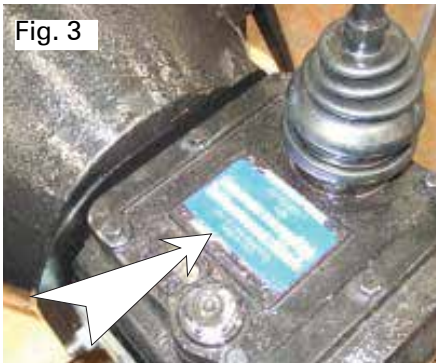
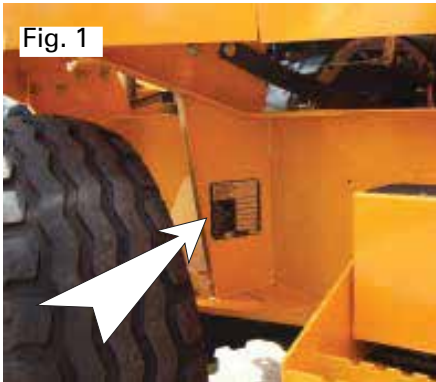


Thwaites Ltd  
 Leamington Spa  
 Warwickshire  
 CV32 7NQ  
 Tel +44 (0)1926 422471  
 Fax +44 (0)1926 450458  
[www.thwaitesdumpers.co.uk](http://www.thwaitesdumpers.co.uk)

<b>FROM SERIAL No.</b>	101275
<b>DATED</b>	11th AUGUST 2008
<b>SERIAL No.</b>	
<b>ENGINE BUILD No.</b>	LISTER-PETTER TR2
<b>PAYLOAD</b>	2 TONNE
<b>SKIP</b>	MANUAL SWIVEL
<b>TRANSMISSION</b>	MANUAL
<b>TYPE</b>	MACH 316
<b>PREFIX No.</b>	05

## MACHINE IDENTIFICATION



### Serial Numbers

Please quote machine serial numbers when in communication with your Thwaites distributor.

#### Model Type (Fig 1.)

#### Serial N<sup>o</sup> (Fig 1.)

#### Engine Serial N<sup>o</sup> (Fig 2.)

#### Gearbox Serial N<sup>o</sup> (Fig 3.)

#### Axle Serial N<sup>o</sup> (Fig 4.)

#### Transfer Box Serial N<sup>o</sup> (Fig 5.)

**SERIAL NUMBER IDENTIFICATION**



Thwaites Ltd Leamington Spa Warwickshire England CV32 7NQ	
Type Typ. Modelle	① MACH 316
Serial No. Fz. - Ident. - Nr No. de Serie	② 1-101275
Year of Manufacture Baujahr. Année de Fabrication	③ 11/08/2008
Mass Unladen Leergewicht Poids à vide	kg
Payload Nutzlast Charge utile	kg
Engine Power Mötor. Puissance du Moteur	kW
Drawbar Pull	kg
Vertical Drawbar Load	kg

**Important note:** *Do not use this parts manual to order replacement spares if the prefix level of your machine is higher than the number quoted at the front of this parts manual.*

- 1) When ordering replacement spares it is important that the model or MACH number is used to identify the correct parts manual.
- 2) The Machine Parts Manual issue level denoted by the single digit Prefix Number and followed by the unique machine serial number.
- 3) The year of manufacture.

Please ensure that these numbers are quoted in all correspondence with your Thwaites distributor.

## CONTENTS

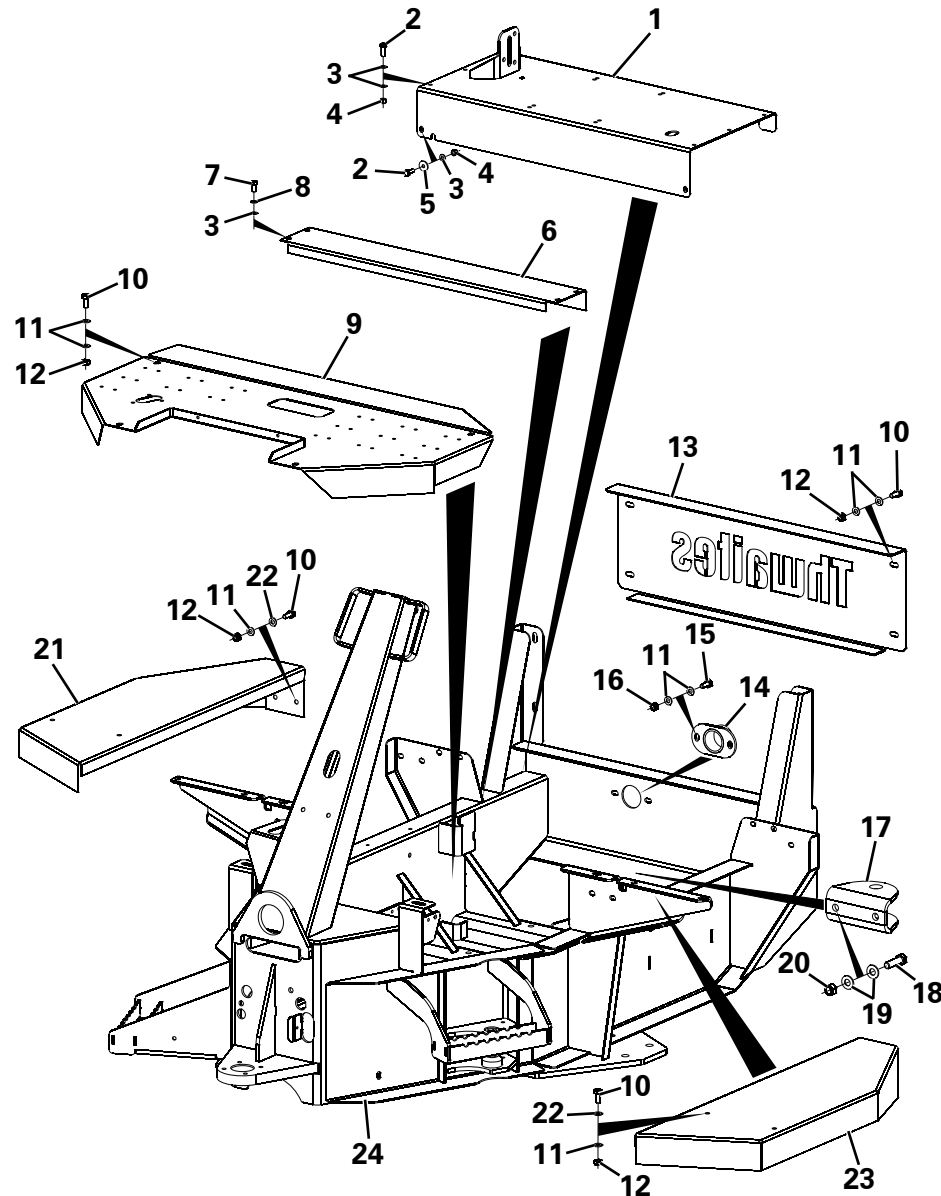
**\*DENOTES MODIFICATION - SEE MODIFICATION & ADDITIONS PAGES**

SECTION TITLE	PAGE No.
REAR CHASSIS & FIXINGS	1
SEAT ASSEMBLY	2
SKIP & SUB CHASSIS	3
SUB FRAME & FRONT CHASSIS	4
KINGLINK ASSEMBLY	5
CLUTCH PEDAL ASSEMBLY	6
BRAKE PEDAL ASSEMBLY	7
BRAKE SYSTEM ASSEMBLY	8
THROTTLE ASSEMBLY	9
BATTERY BOX ASSEMBLY	10
STEERING ASSEMBLY	11
TIPPING VALVE ASSEMBLY	12
HYDRAULIC TANK ASSEMBLY	13
HYDRAULIC CIRCUIT	14
TIPPING RAM ASSEMBLY	15
STEERING RAM ASSEMBLY	16
CLUTCH ASSEMBLY & HYDRAULIC PUMP	17
GEARBOX - INTERNAL	18
GEARBOX - INPUT & OUTPUT	20
ENGINE ACCESSORIES & FIXINGS	22
EXHAUST SYSTEM	23
AIR CLEANER ASSEMBLY	24
FUEL TANK ASSEMBLY	25
HANDBRAKE ASSEMBLY	26
PROPSHAFTS	27
WHEEL ASSEMBLY & AXLE FIXINGS	28
FRONT AXLE - HUB REDUCTION	29

## CONTENTS

**\*DENOTES MODIFICATION - SEE MODIFICATION & ADDITIONS PAGES**

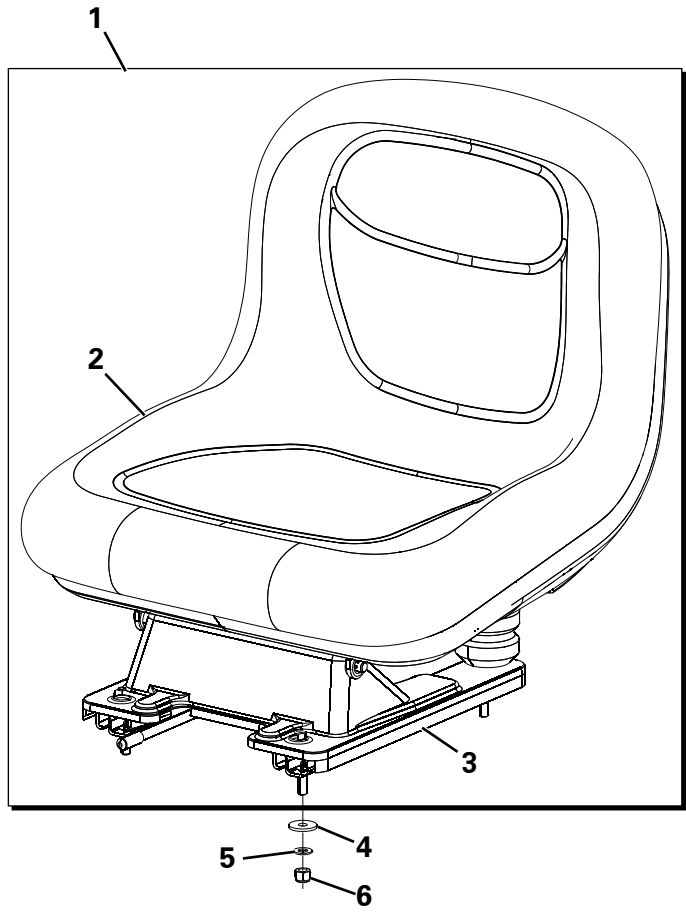
SECTION TITLE	PAGE No.
FRONT AXLE - CENTRAL HOUSING	31
FRONT AXLE - DIFFERENTIAL	32
FRONT AXLE - BRAKES	33
REAR AXLE - HUB REDUCTION	34
REAR AXLE - CENTRAL HOUSING	36
REAR AXLE - DIFFERENTIAL	37
DROPBOX ASSEMBLY	38
REVERSE ALARM	40
WHEEL ASSEMBLY - TRAC GRIP	41
WHEEL ASSEMBLY - TRAC GRIP NARROW	42
EXHAUST SPARK ARRESTOR	43
HOURMETER KIT	44
MODIFIED AND ADDITIONAL PARTS	45



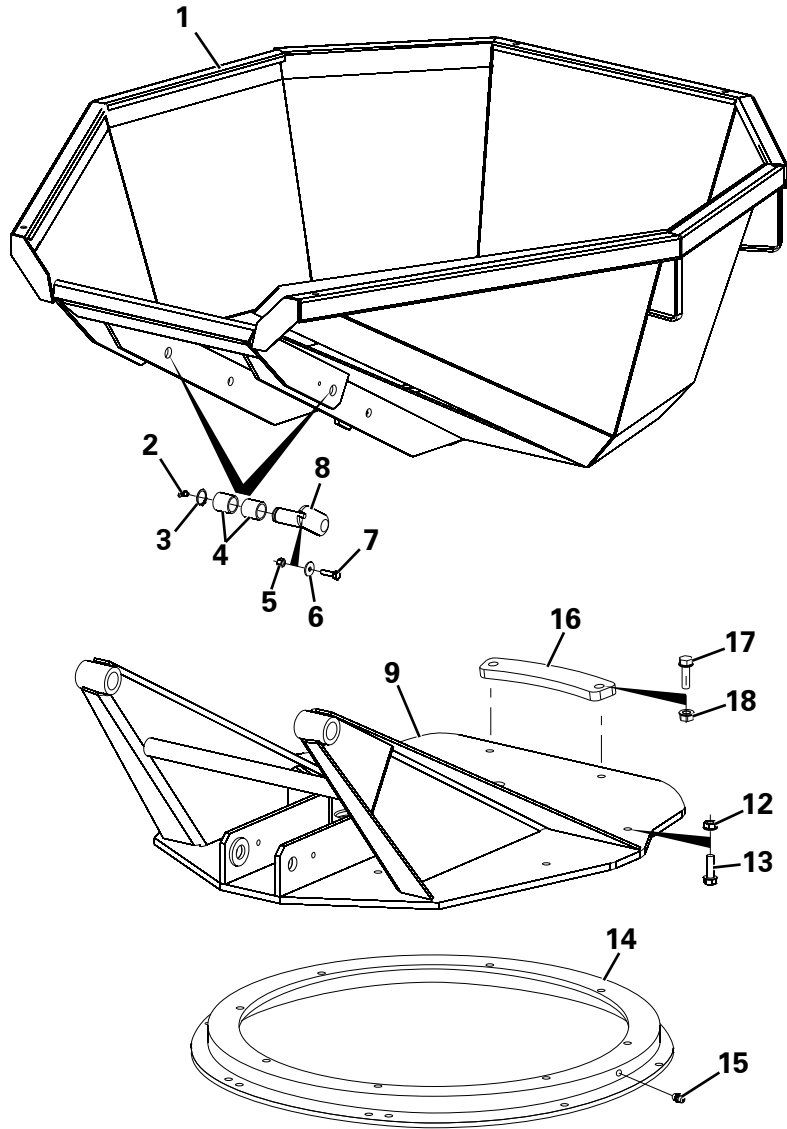
**REAR CHASSIS & FIXINGS**

Item	Part No.	Description	Qty	U/M
1	T103425	SEAT BRACKET ASSY	1.0	EA
2	T12694	SET SCREW	8.0	EA
3	T12973	WASHER	18.0	EA
4	T13457	NYLOC NUT	8.0	EA
5	T9345	HEAVY DUTY WASHER	2.0	EA
6	T18380	FOOTPLATE	1.0	EA
7	T7465	SET SCREW	4.0	EA
8	T12972	SPRING WASHER	4.0	EA
9	T103428	FLOORPLATE ASSY	1.0	EA
10	T7466	SET SCREW	16.0	EA
11	T10734	HEAVY DUTY WASHER	28.0	EA
12	T101724	NYLOC NUT	16.0	EA
13	T18378	REAR PANEL	1.0	EA
14	T17372	BEARING SUPPORT BRKT	1.0	EA
15	T16505	SET SCREW	2.0	EA
16	T13064	PHILIDAS NUT	2.0	EA
17	T8183	TOWING JAW	1.0	EA
18	T11315	BOLT	2.0	EA
19	T100867	WASHER	4.0	EA
20	T14910	PHILIDAS NUT	2.0	EA
21	T11094	MUDGUARD RH (REAR)	1.0	EA
22	T15819	WASHER	8.0	EA
23	T11095	MUDGUARD LH (REAR)	1.0	EA
* 24	T103710	REAR CHASSIS	1.0	EA

**SEAT ASSEMBLY**

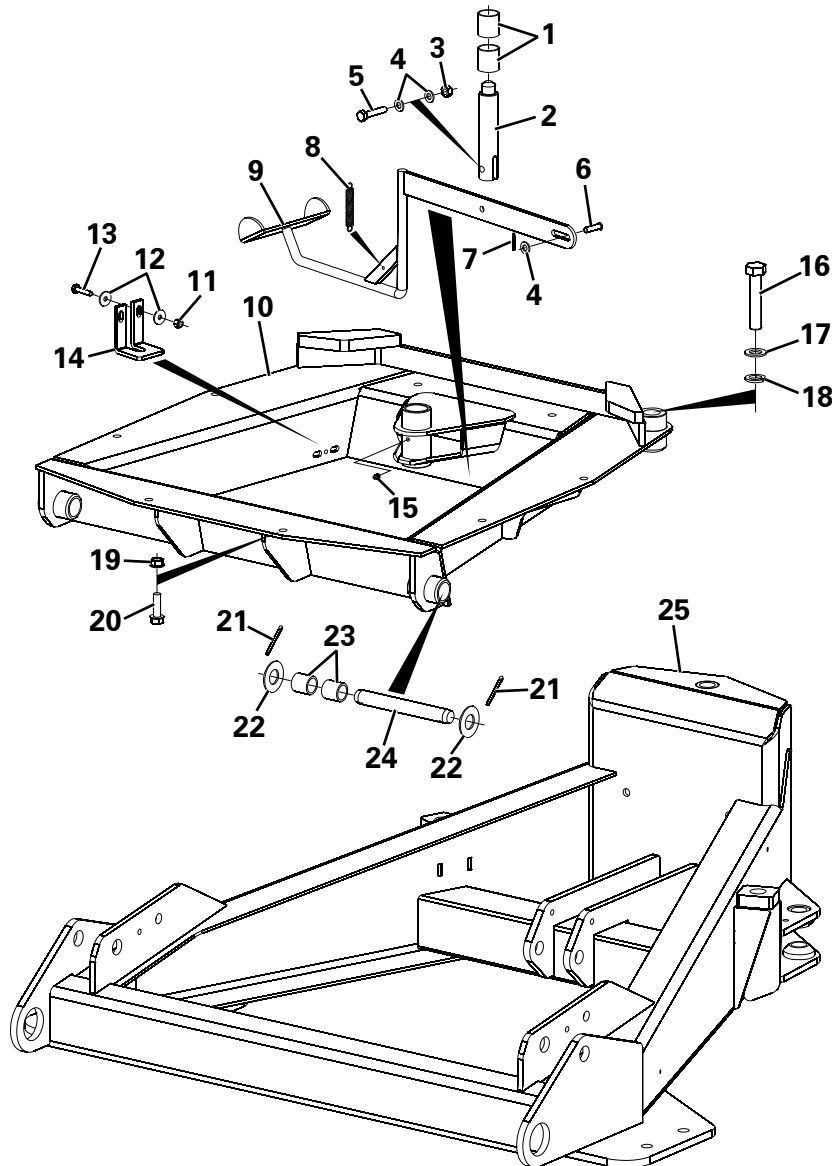


Item	Part No.	Description	Qty	U/M
1	T103426	SEAT ASSEMBLY	1.0	EA
2	T54106	SEAT	1.0	EA
3	T54105	ADJUSTER SEAT	1.0	EA
4	T9345	HEAVY DUTY WASHER	4.0	EA
5	T12973	WASHER	4.0	EA
6	T13457	NYLOC NUT	4.0	EA



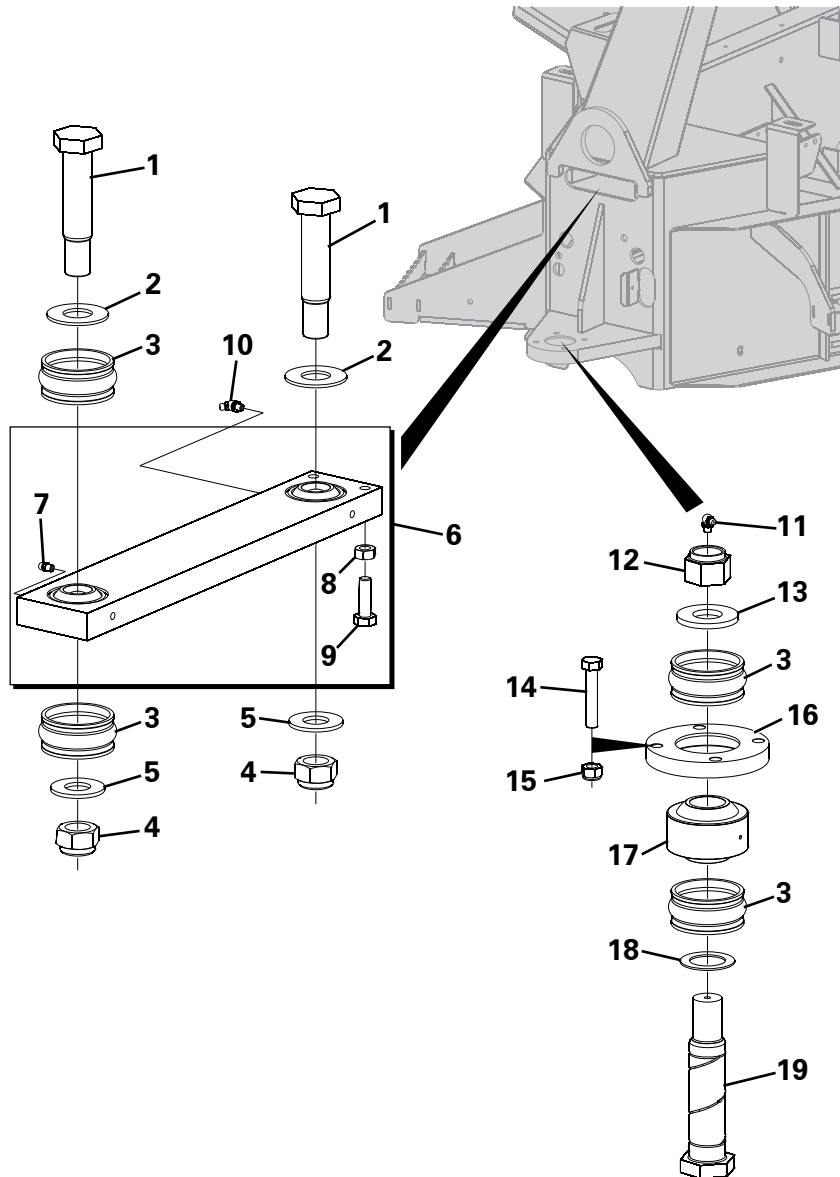
**SKIP & SUB CHASSIS**

Item	Part No.	Description	Qty	U/M
* 1	T104085	SKIP	1.0	EA
2	T5020	GREASE NIPPLE	2.0	EA
3	T8219	CIRCLIP	2.0	EA
4	T8397	BUSH	4.0	EA
* 5	T19007	PHILIDAS NUT	2.0	EA
6	T9345	HEAVY DUTY WASHER	2.0	EA
7	T14152	BOLT	2.0	EA
* 8	T11355	PIVOT PIN	2.0	EA
* 9	T103700	SUB-CHASSIS	1.0	EA
12	T9928	DURLOCK NUT	8.0	EA
13	T9926	DURLOCK BOLT	8.0	EA
14	T11272	SLEW RING	1.0	EA
15	T9713	GREASE NIPPLE	4.0	EA
* 16	T102735	SKIP STOP PAD	2.0	EA
* 17	T9926	BOLT	2.0	EA
* 18	T9928	NUT	2.0	EA



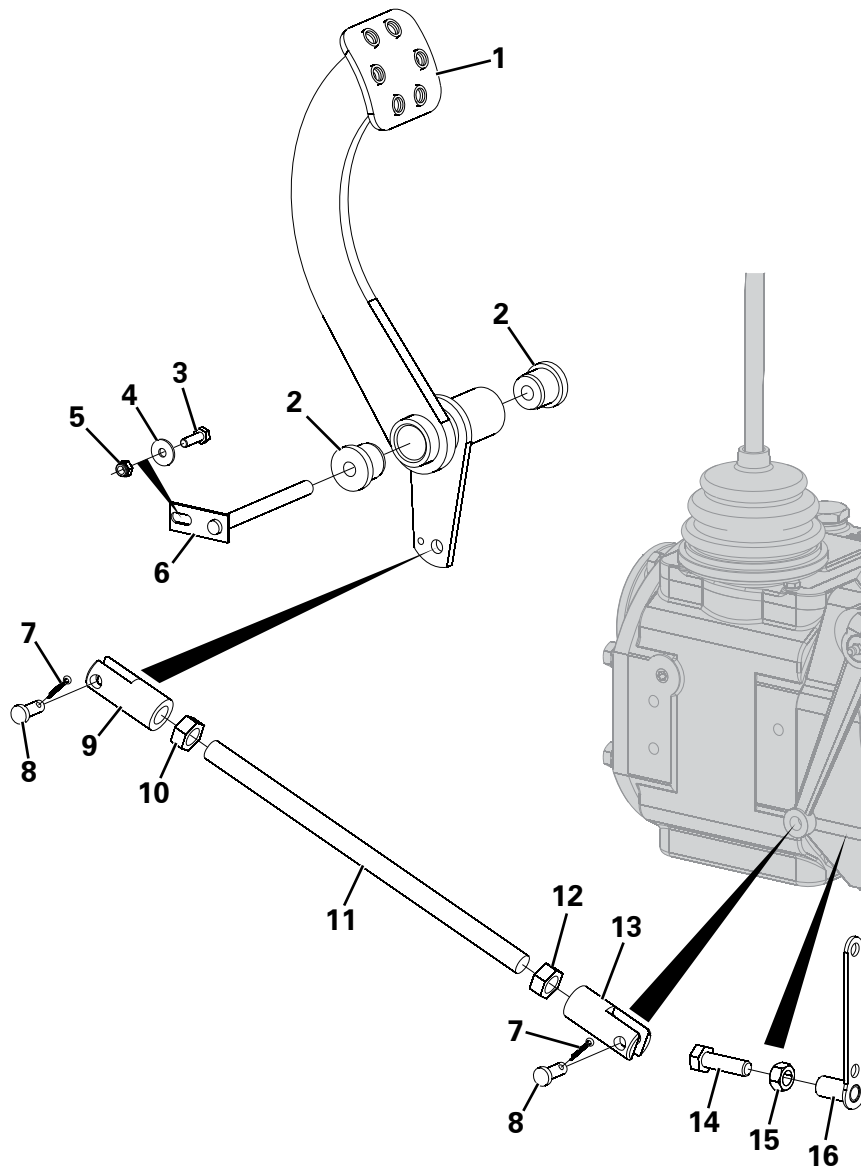
**SUB FRAME & FRONT CHASSIS**

Item	Part No.	Description	Qty	U/M
1	T8574	BUSH	2.0	EA
2	T18572	SWIVEL LOCKING PIN	1.0	EA
3	T7631	PHILIDAS NUT	1.0	EA
4	T15819	WASHER	3.0	EA
5	T6799	BOLT	1.0	EA
6	T6951	CLEVIS PIN	1.0	EA
7	T6745	SPLIT PIN	1.0	EA
8	T5233	SPRING	1.0	EA
9	T18550	SWIVEL LOCKING PEDAL	1.0	EA
* 10	T103692	SUB FRAME	1.0	EA
11	T13457	NYLOC NUT	2.0	EA
12	T9345	HEAVY DUTY WASHER	4.0	EA
13	T14277	BOLT	2.0	EA
14	T18573	LOCKING PEDAL GUIDE	1.0	EA
15	T16586	GREASE NIPPLE	1.0	EA
16	T16508	SET SCREW	2.0	EA
17	T17387	WASHER	2.0	EA
18	T6695	SPRING WASHER	2.0	EA
19	T9928	DURLOCK NUT	8.0	EA
20	T9926	DURLOCK BOLT	8.0	EA
21	T6752	SPLIT PIN	4.0	EA
22	T6768	WASHER	4.0	EA
23	T8397	BUSH	4.0	EA
* 24	T104076	FRONT LOCATING PIN	2.0	EA
* 25	T103709	FRONT CHASSIS	1.0	EA



**KINGLINK ASSEMBLY**

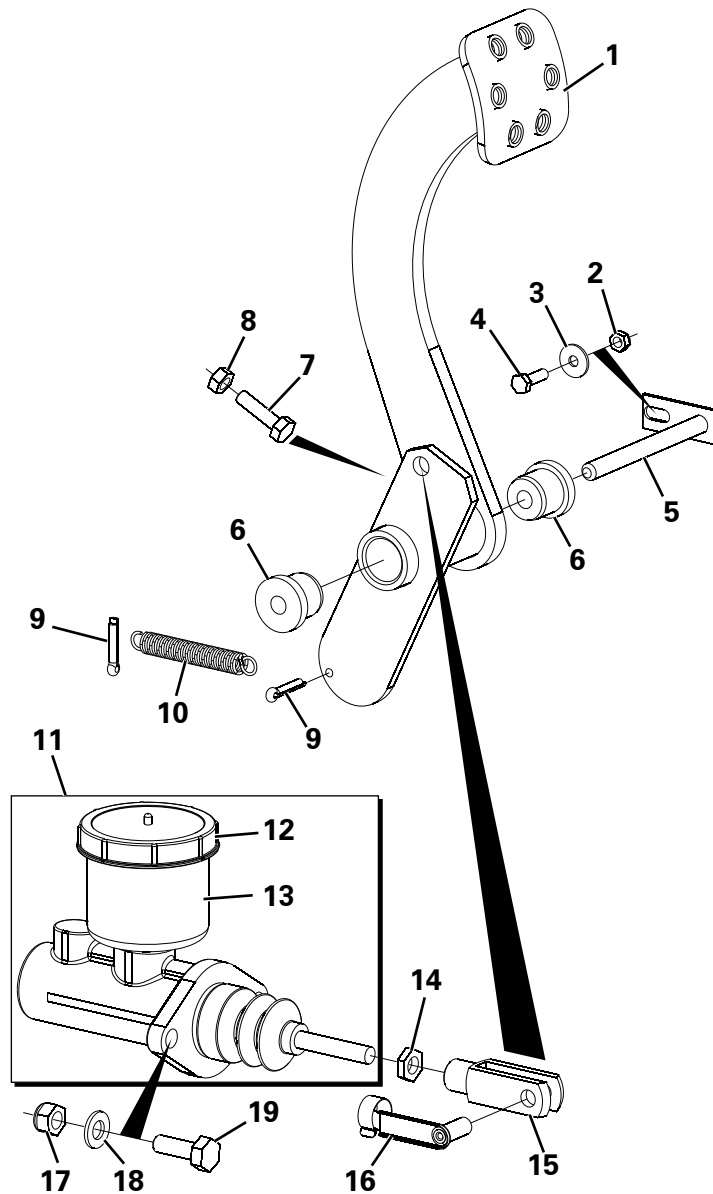
Item	Part No.	Description	Qty	U/M
1	T100593	PIVOT BOLT	2.0	EA
2	T6768	WASHER	2.0	EA
3	T10160	RUBBER DUST SEAL	4.0	EA
4	T10143	NUT	2.0	EA
5	T11811	HEAVY DUTY WASHER	2.0	EA
6	T52796	KINGLINK ASSEMBLY	1.0	EA
7	T16586	GREASE NIPPLE	1.0	EA
8	T12509	NUT	2.0	EA
9	T16505	SET SCREW	2.0	EA
10	T19702	GREASE NIPPLE	1.0	EA
11	T5020	GREASE NIPPLE	1.0	EA
12	T10331	PHILIDAS NUT	1.0	EA
13	T7695	HEAVY DUTY WASHER	1.0	EA
14	T16501	BOLT	4.0	EA
15	T102886	NYLOC NUT	4.0	EA
16	T10325	BEARING CAP	1.0	EA
17	T100268	SPHERICAL BEARING	1.0	EA
18	T8327	WASHER	1.0	EA
19	T10324	PIVOT BOLT	1.0	EA



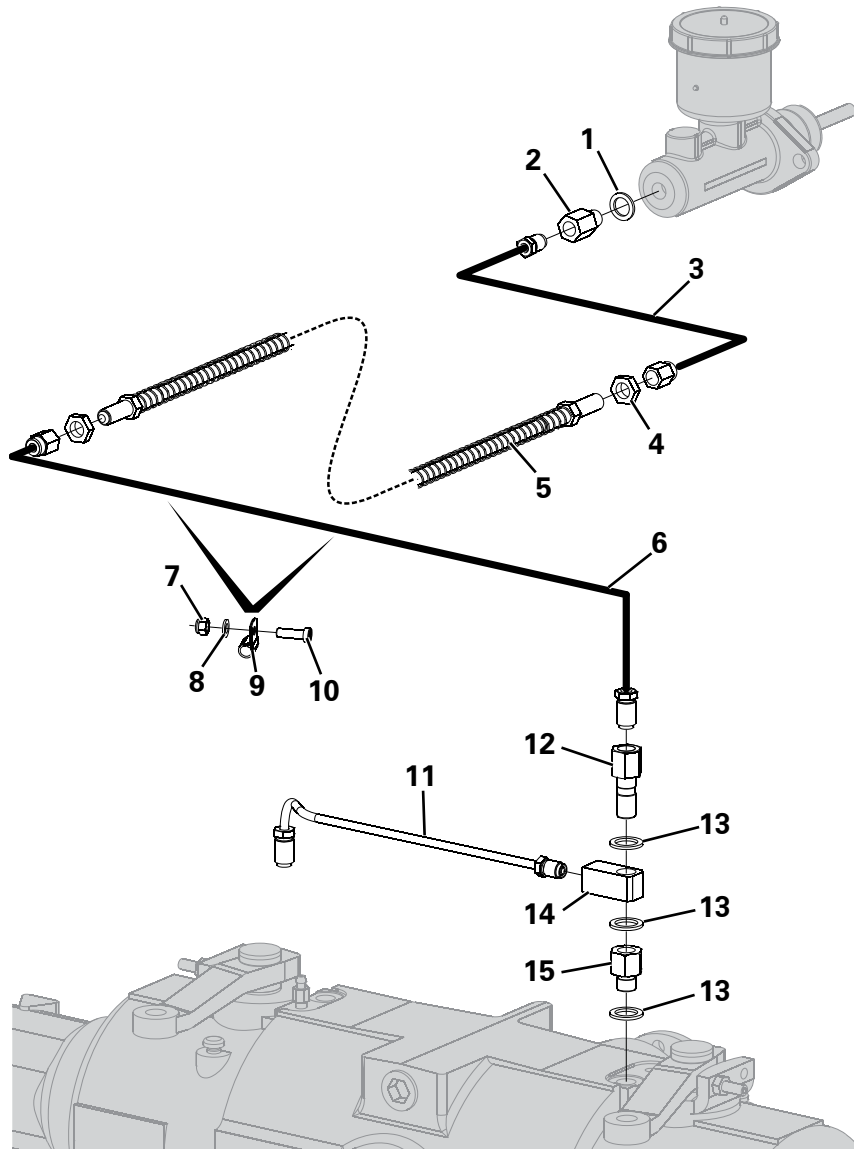
**CLUTCH PEDAL ASSEMBLY**

Item	Part No.	Description	Qty	U/M
1	T103424	CLUTCH PEDAL	1.0	EA
2	T13858	BUSH	2.0	EA
3	T16477	SET SCREW	1.0	EA
4	T15830	HEAVY DUTY WASHER	1.0	EA
5	T16481	NYLOC NUT	1.0	EA
6	T9869	PEDAL SHAFT	1.0	EA
7	T6702	SPLIT PIN	2.0	EA
8	T6951	CLEVIS PIN	2.0	EA
9	T9934	FORK END	1.0	EA
10	T7722	LOCKNUT	1.0	EA
* 11	T103575	CLUTCH ROD	1.0	EA
12	T9949	LOCKNUT	1.0	EA
13	T9935	FORK END	1.0	EA
* 14	T14078	SET SCREW	1.0	EA
* 15	T103626	NUT	1.0	EA
* 16	T103618	CLUTCH STOP PLATE ASSY	1.0	EA

**BRAKE PEDAL ASSEMBLY**

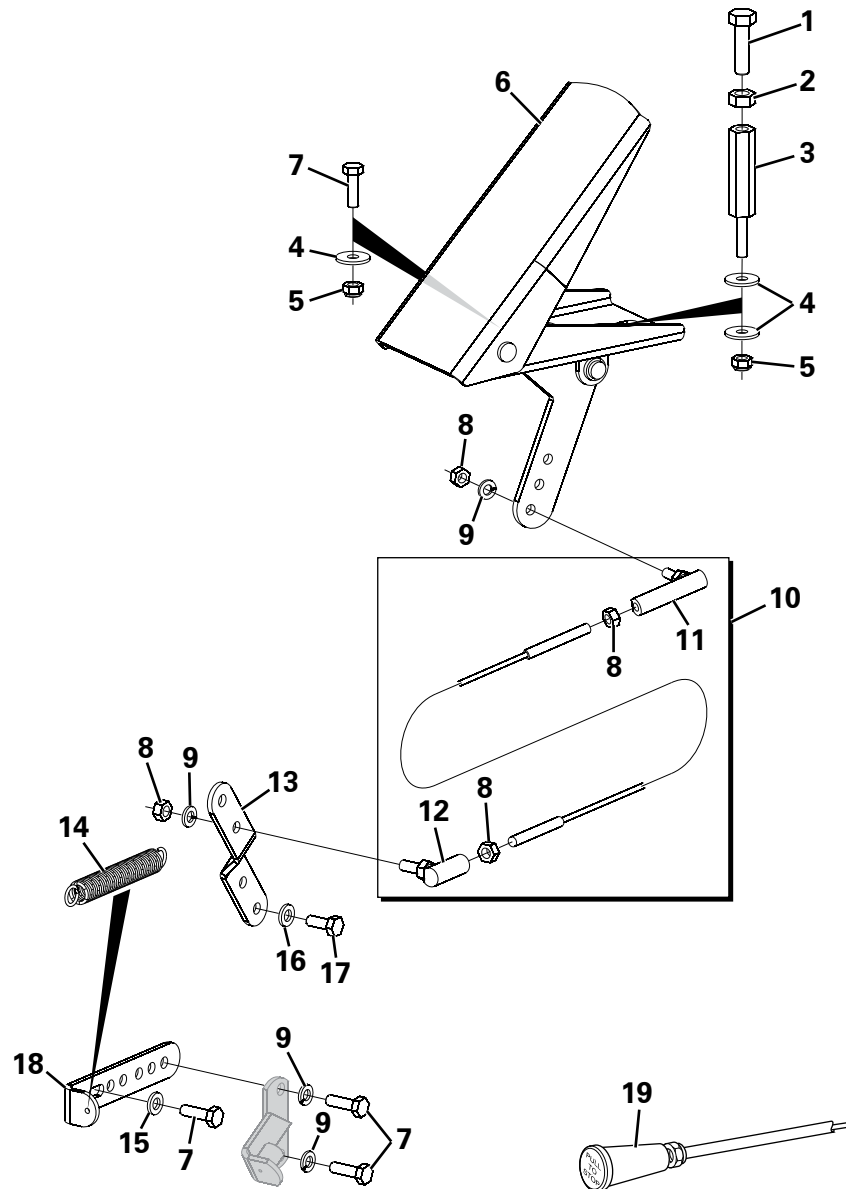


Item	Part No.	Description	Qty	U/M
1	T103423	BRAKE PEDAL	1.0	EA
2	T16481	NYLOC NUT	1.0	EA
3	T15830	HEAVY DUTY WASHER	1.0	EA
4	T16477	SET SCREW	1.0	EA
5	T9869	PEDAL SHAFT	1.0	EA
6	T13858	BUSH	2.0	EA
7	T14152	SET SCREW	1.0	EA
8	T9775	NUT	1.0	EA
9	T7987	SPLIT PIN	2.0	EA
10	T7089	SPRING	1.0	EA
11	T103430	MASTER CYLINDER	1.0	EA
	T54103	MAJOR REPAIR KIT	1.0	EA
12	T54104	RESERVOIR CAP	1.0	EA
13	T50540	RESERVOIR	1.0	EA
14	T19015	LOCK NUT	1.0	EA
15	T102365	FORK END	1.0	EA
16	T102374	SPRING CLEVIS PIN	1.0	EA
17	T101724	NYLOC NUT	2.0	EA
18	T15819	WASHER	2.0	EA
19	T20618	SET SCREW	2.0	EA



**BRAKE SYSTEM ASSEMBLY**

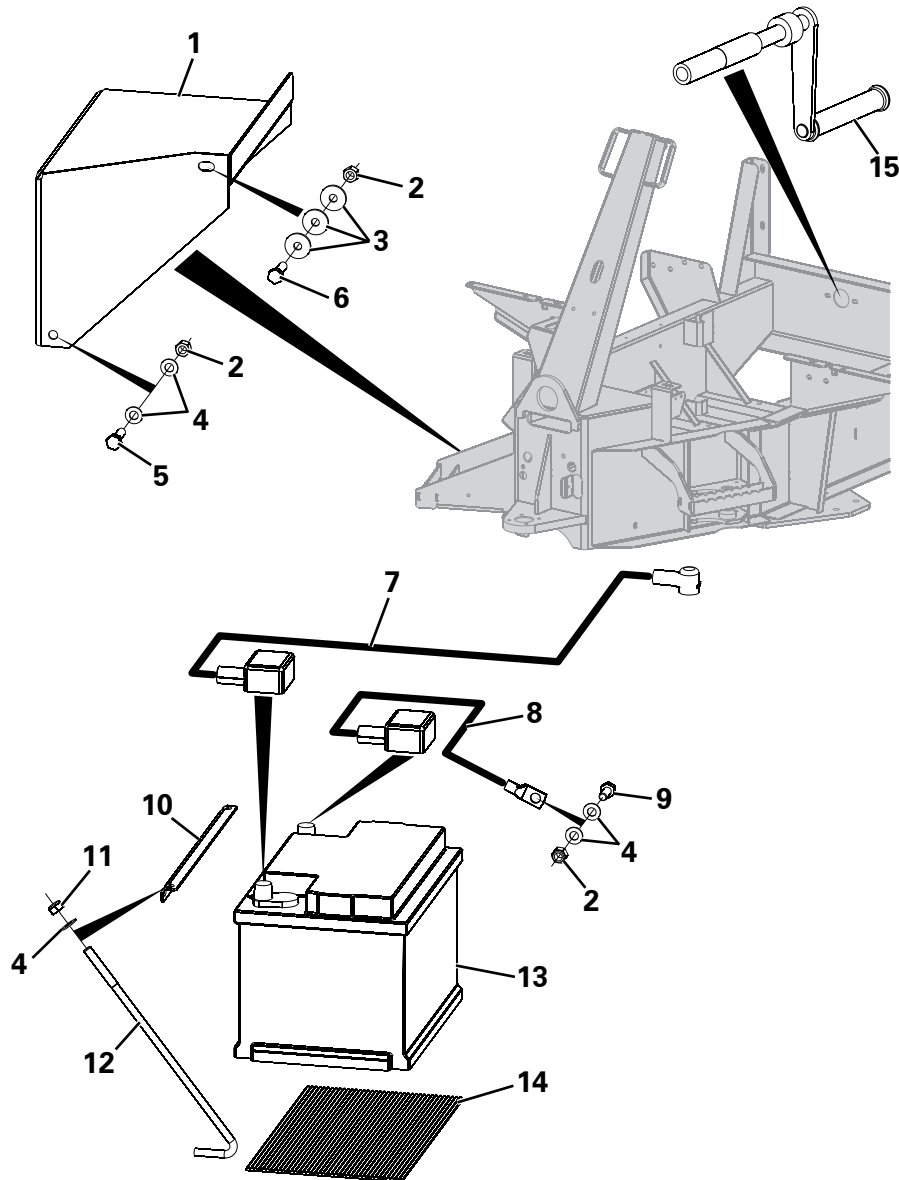
Item	Part No.	Description	Qty	U/M
1	T10940	DOWTY WASHER	1.0	EA
2	T100701	BRAKEPIPE/MCYL ADAPTOR	1.0	EA
3	T103433	BRAKE PIPE	1.0	EA
4	T8942	LOCK NUT	2.0	EA
5	T11243	FLEXIBLE BRAKE HOSE	1.0	EA
6	T103434	BRAKE PIPE	1.0	EA
7	T16613	NYLOC NUT	2.0	EA
8	T16612	WASHER	2.0	EA
9	T11452	P CLIP	2.0	EA
10	T16610	CHEESE HEAD SCREW	2.0	EA
11	T102731	BRAKE PIPE	1.0	EA
12	T102514	BRAKE TEE BANJO BOLT	1.0	EA
13	T15176	DOWTY WASHER	3.0	EA
14	T102513	BRAKE PIPE TEE	1.0	EA
15	T102868	MALE/FEMALE ADAPTOR	1.0	EA



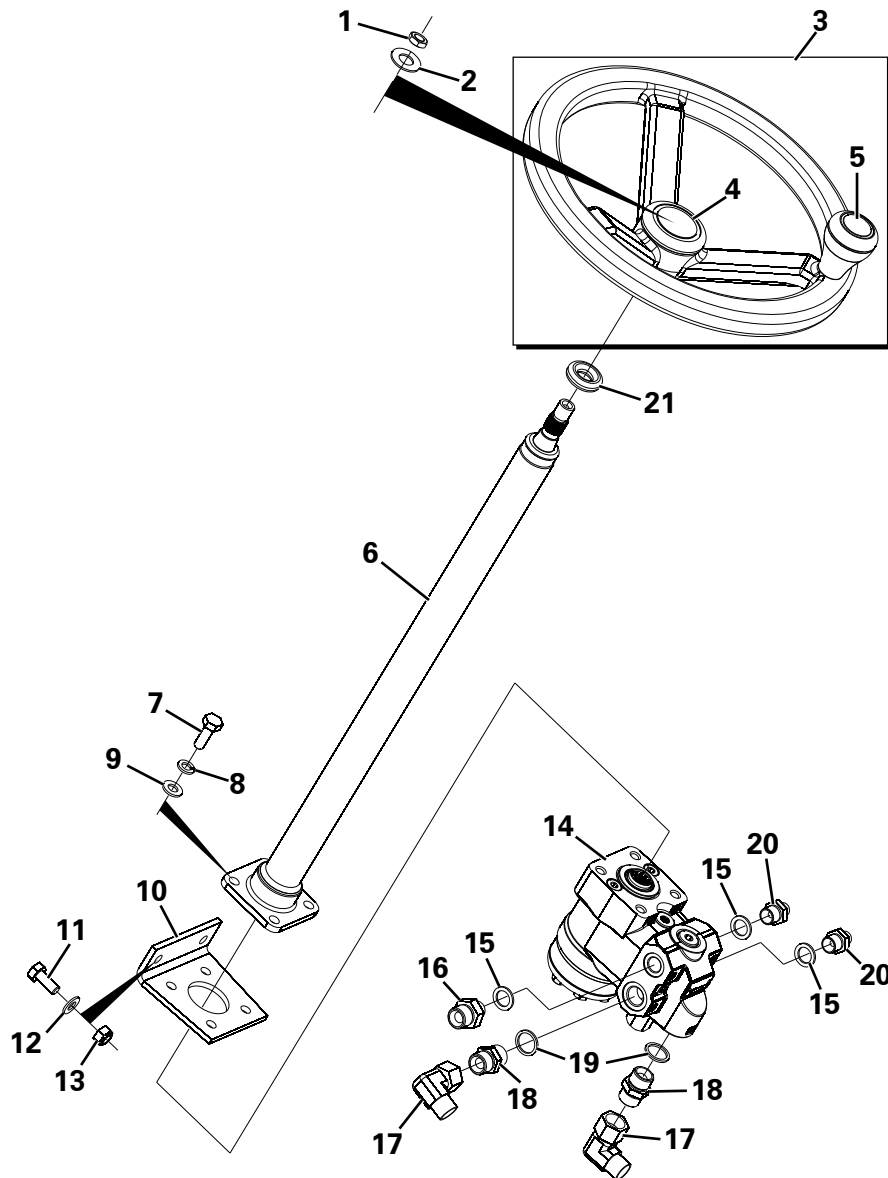
**THROTTLE ASSEMBLY**

Item	Part No.	Description	Qty	U/M
1	T14152	BOLT	1.0	EA
2	T9775	NUT	1.0	EA
3	T101032	THROTTLE STOP	1.0	EA
4	T15830	HEAVY DUTY WASHER	4.0	EA
5	T16481	NYLOC NUT	3.0	EA
6	T101965	THROTTLE PEDAL	1.0	EA
7	T16477	SET SCREW	5.0	EA
8	T10431	NUT	4.0	EA
9	T14837	SPRING WASHER	4.0	EA
10	T103431	THROTTLE CABLE	1.0	EA
11	T103525	AMEL END	1.0	EA
12	T16192	AMEL END	1.0	EA
13	T17376	THROTTLE REACTION BRKT	1.0	EA
14	T15770	EXTENSION SPRING	1.0	EA
15	T13911	WASHER	1.0	EA
16	T10418	SHAKEPROOF WASHER	1.0	EA
17	T10917	SET SCREW	1.0	EA
18	T17277	THROTTLE SPRING BRKT	1.0	EA
19	T11751	ENGINE STOP CABLE	1.0	EA

**BATTERY BOX ASSEMBLY**

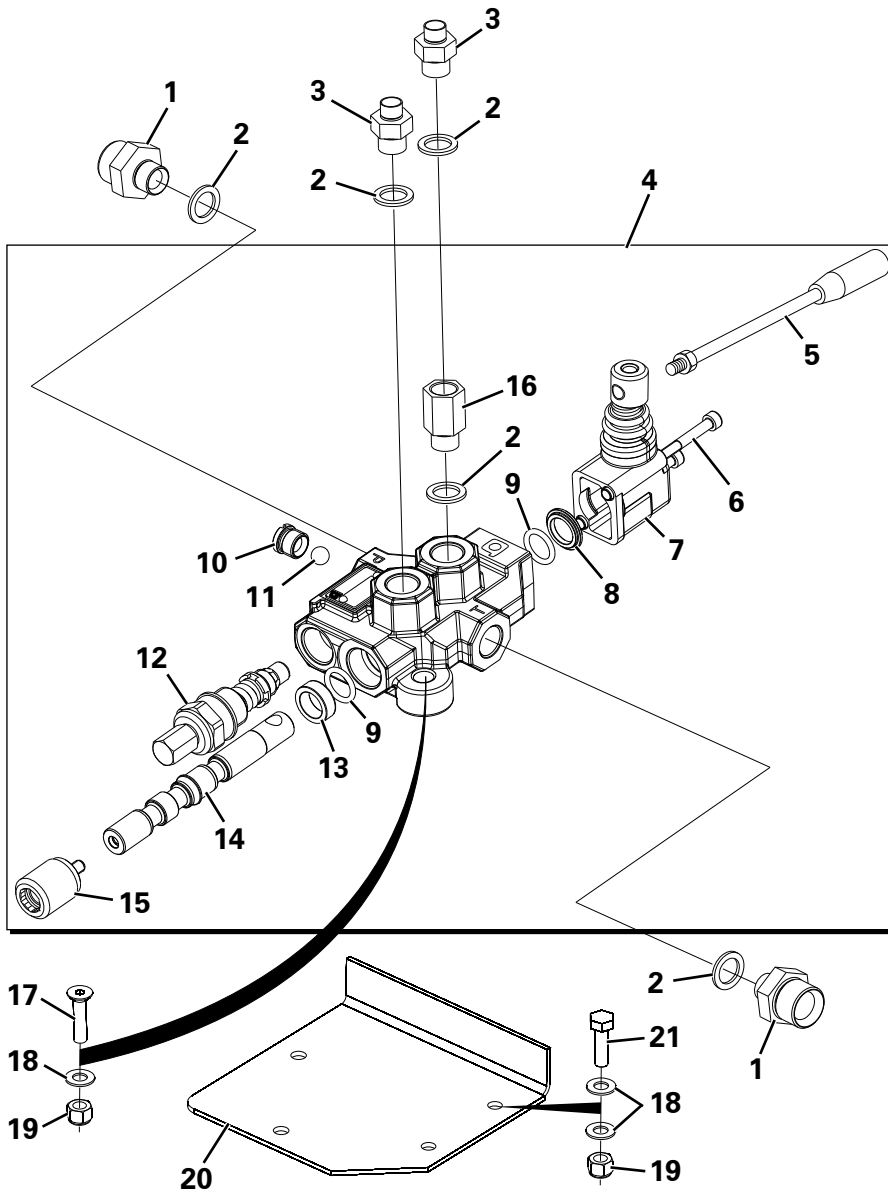


Item	Part No.	Description	Qty	U/M
1	T16910	BATTERY COVER	1.0	EA
2	T13457	NYLOC NUT	4.0	EA
3	T9345	HEAVY DUTY WASHER	3.0	EA
4	T12973	WASHER	8.0	EA
5	T12694	SET SCREW	2.0	EA
6	T14277	BOLT	1.0	EA
7	T103171	BATTERY POSITIVE CABLE	1.0	EA
8	T103170	BATTERY NEGATIVE CABLE	1.0	EA
9	T7465	SET SCREW	1.0	EA
10	T14351	BATTERY CLAMP	1.0	EA
11	T7630	STOVER NUT	2.0	EA
12	T12213	BATTERY COVER ROD	2.0	EA
13	T100967	BATTERY	1.0	EA
14	T14286	BATTERY PACKING	1.0	EA
15	T17371	STARTING HANDLE ASSY	1.0	EA



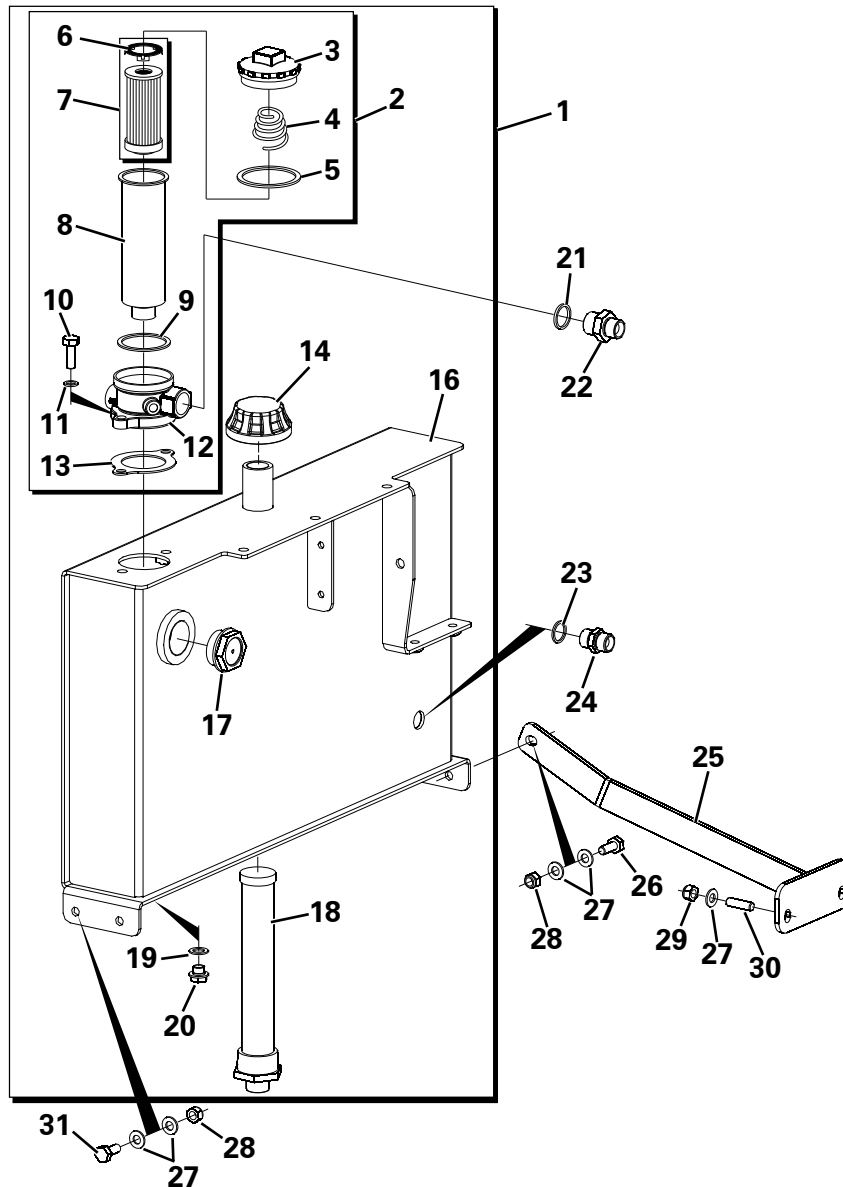
**STEERING ASSEMBLY**

Item	Part No.	Description	Qty	U/M
1	T53853	HALF NUT	1.0	EA
2	T6765	WASHER	1.0	EA
3	T100496	STEERING WHEEL & CAP	1.0	EA
4	T53959	CENTRE CAP	1.0	EA
5	T53958	SPINNER KNOB	1.0	EA
6	T103521	STEERING COLUMN	1.0	EA
* 7	T7466	SET SCREW	4.0	EA
8	T13362	SPRING WASHER	4.0	EA
9	T15819	WASHER	4.0	EA
10	T9873	STEERING VALVE BRACKET	1.0	EA
11	T7466	SET SCREW	2.0	EA
12	T10734	HEAVY DUTY WASHER	2.0	EA
13	T101724	NYLOC NUT	2.0	EA
14	T102911	STEERING PRIORITY VALVE	1.0	EA
	T53880	SEAL KIT	1.0	EA
15	T5637	DOWTY WASHER	3.0	EA
16	T11165	ADAPTOR	1.0	EA
17	T100772	ELBOW	2.0	EA
18	T13936	ADAPTOR	2.0	EA
19	T5596	DOWTY WASHER	2.0	EA
20	T12118	ADAPTOR	2.0	EA
21	T10306	GROMMET	1.0	EA



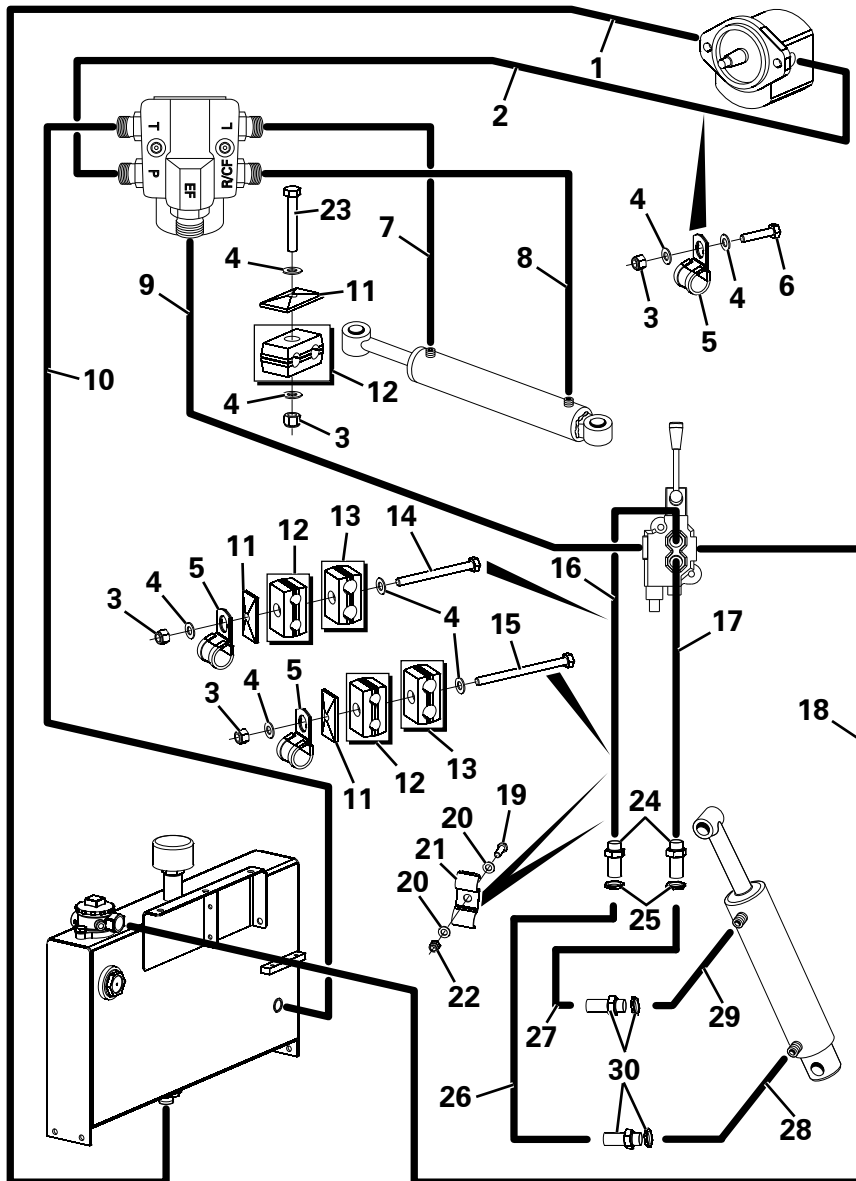
**TIPPING VALVE ASSEMBLY**

Item	Part No.	Description	Qty	U/M
1	T11165	ADAPTOR	2.0	EA
2	T5637	DOWTY WASHER	5.0	EA
3	T12118	ADAPTOR	1.0	EA
4	T101114	TIPPING VALVE	1.0	EA
5	T53313	LEVER	1.0	EA
6	T53312	SOCKET SCREW	2.0	EA
7	T53311	LEVER ASSEMBLY	1.0	EA
8	T53306	FLANGED WASHER	1.0	EA
9	T53304	SEAL	2.0	EA
10	T53309	CHECK VALVE	1.0	EA
11	T53310	BALL	1.0	EA
12	T52674	VALVE	1.0	EA
13	T53305	SPACER	1.0	EA
14	T53307	SPOOL	1.0	EA
15	T53308	POSITIONER	1.0	EA
16	T54107	RESTRICTOR ADAPTOR	1.0	EA
17	T17070	SOCKET C/SUNK HEAD SCREW	2.0	EA
18	T12973	WASHER	6.0	EA
19	T13457	NYLOC NUT	4.0	EA
20	T103447	VALVE MTG PLATE	1.0	EA
21	T7465	SET SCREW	2.0	EA



**HYDRAULIC TANK ASSEMBLY**

Item	Part No.	Description	Qty	U/M
* 1	T103627	HYDRAULIC TANK ASSY	1.0	EA
* 2	T104130	RETURN FILTER	1.0	EA
* 3	T54200	CAP	1.0	EA
4	T52625	SPRING	1.0	EA
* 5	T54201	SEAL	1.0	EA
6	T52627	FILTER CLIP	1.0	EA
7	T52286	HYDRAULIC ELEMENT	1.0	EA
* 8	T54202	LOWER CASING	1.0	EA
* 9	T54203	SEAL	1.0	EA
10	T7466	SET SCREW	2.0	EA
11	T100798	DOWTY WASHER	2.0	EA
12	T53135	FILTER HEAD	1.0	EA
* 13	T54204	GASKET	1.0	EA
* 14	T104124	FILLER / BREATHER	1.0	EA
* 16	T103628	HYDRAULIC TANK	1.0	EA
17	T101085	LEVEL INDICATOR	1.0	EA
18	T101240	SUCTION STRAINER	1.0	EA
19	T5695	FIBRE WASHER	1.0	EA
20	T7262	BLANKING PLUG	1.0	EA
21	T5637	DOWTY WASHER	1.0	EA
22	T5593	ADAPTOR	1.0	EA
23	T103673	COPPER WASHER	1.0	EA
24	T13936	ADAPTOR	1.0	EA
25	T103482	GEARBOX BRKT ASSY LH	1.0	EA
26	T16505	SET SCREW	1.0	EA
27	T10734	HEAVY DUTY WASHER	10.0	EA
28	T101724	NYLOC NUT	4.0	EA
29	T7631	PHILIDAS NUT	2.0	EA
30	T14459	GEARBOX STUD	2.0	EA
31	T20618	SET SCREW	3.0	EA

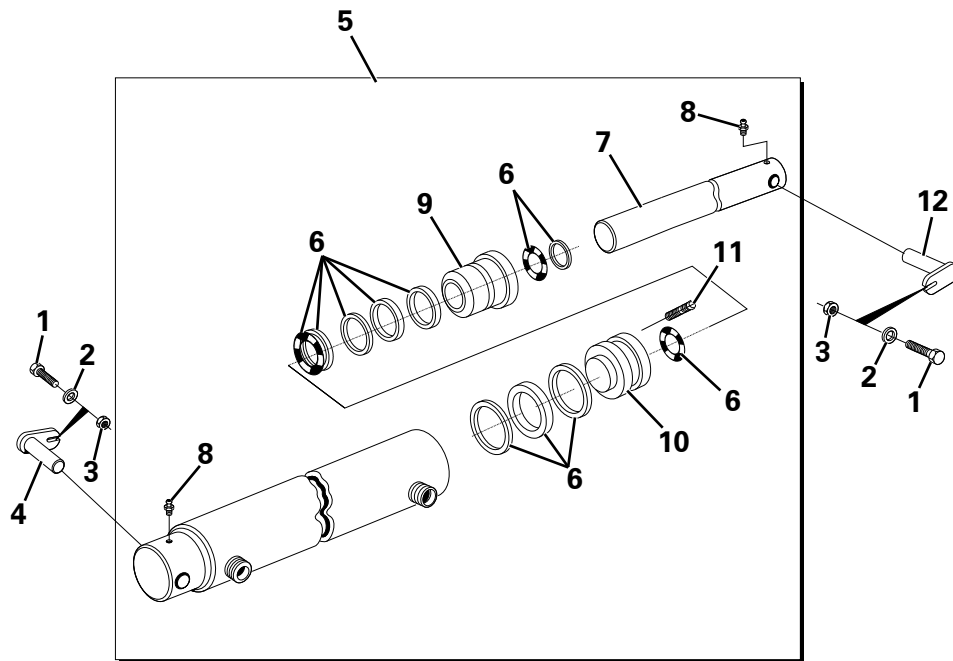


**HYDRAULIC CIRCUIT**

Item	Part No.	Description	Qty	U/M
1	T103492	HOSE	1.0	EA
2	T103466	HOSE	1.0	EA
3	T13457	NYLOC NUT	4.0	EA
4	T12973	WASHER	8.0	EA
5	T102920	P CLIP	3.0	EA
6	T12694	SET SCREW	1.0	EA
7	T103490	HOSE	1.0	EA
8	T103491	HOSE	1.0	EA
9	T103467	HOSE	1.0	EA
10	T103468	HOSE	1.0	EA
11	T102170	CLAMP COVER PLATE	3.0	EA
12	T102277	CLAMP	3.0	EA
13	T101904	CLAMP	2.0	EA
14	T16496	BOLT	1.0	EA
15	T101739	BOLT	1.0	EA
16	T103494	HOSE	1.0	EA
17	T103493	HOSE	1.0	EA
18	T103469	HOSE	1.0	EA
19	T16610	CHEESE HEAD SCREW	2.0	EA
20	T16612	WASHER	4.0	EA
* 21	T12335	SADDLE CLAMP	2.0	EA
22	T16613	NYLOC NUT	2.0	EA
23	T15326	BOLT	1.0	EA
24	T12483	ADAPTOR	2.0	EA
25	T9471	LOCKNUT	2.0	EA
* 26	T104098	HYD HOSE	1.0	EA
* 27	T104099	HYD HOSE	1.0	EA
* 28	T104096	HYD HOSE	1.0	EA
* 29	T104097	HYD HOSE	1.0	EA
* 30	T104100	HYD ADAPTOR	2.0	EA

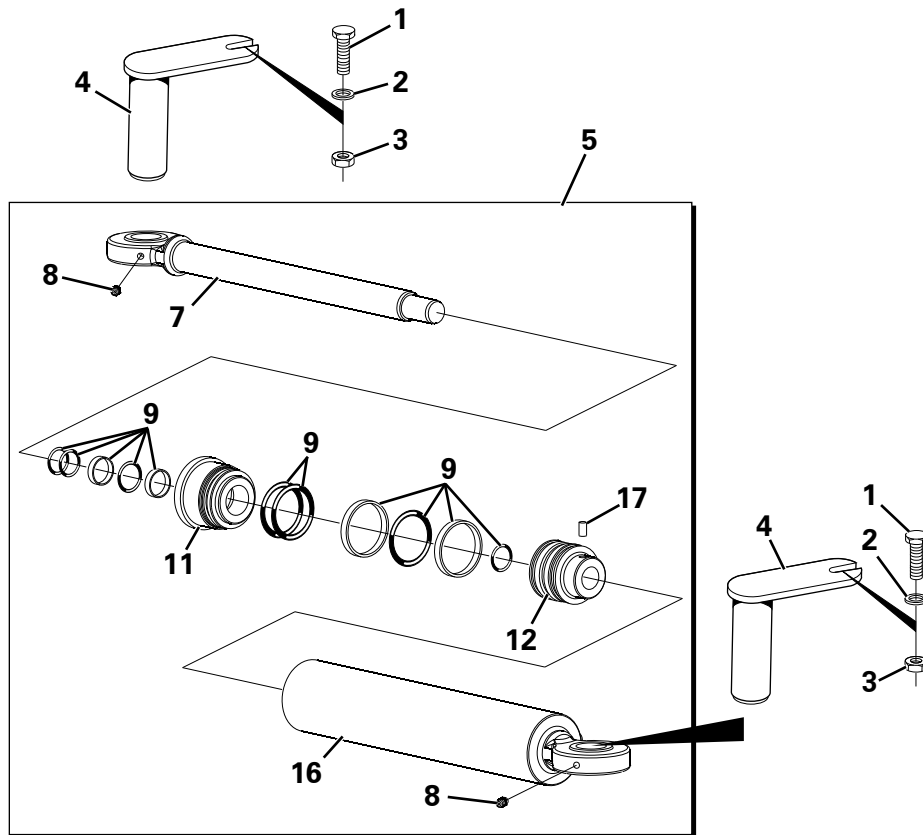
**TIPPING RAM ASSEMBLY**

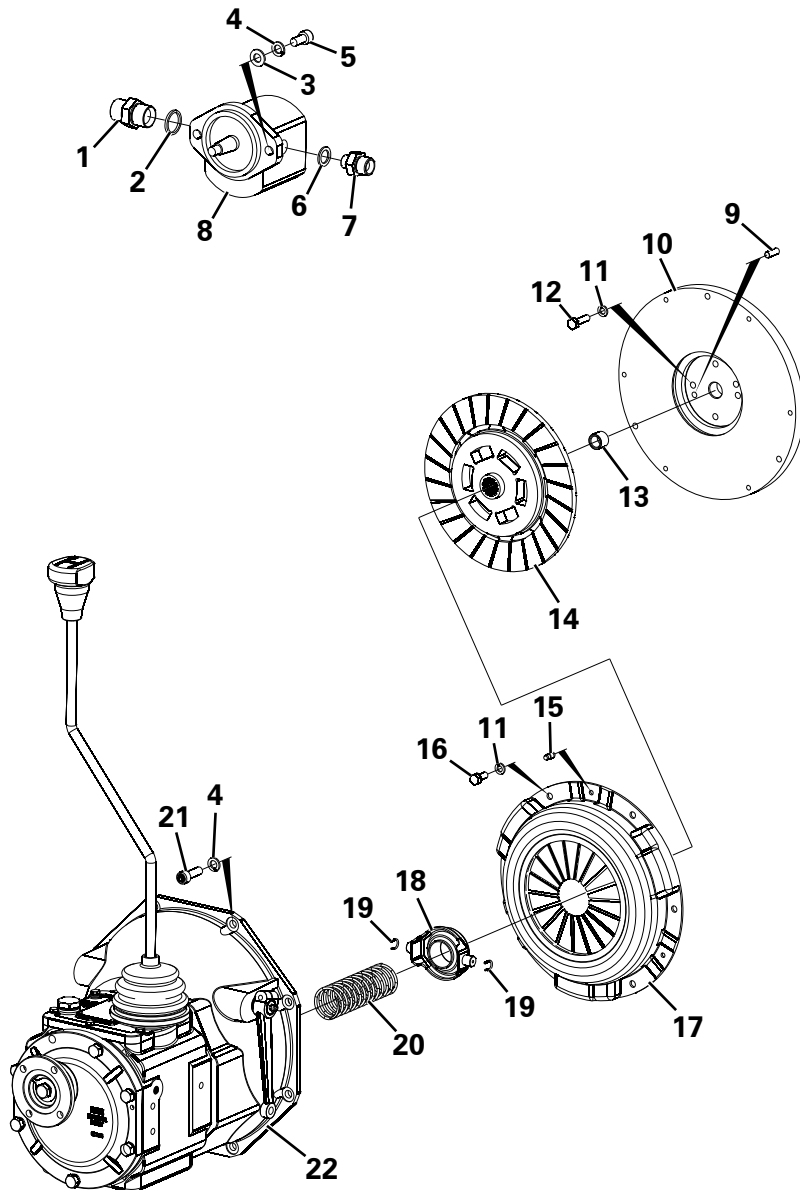
Item	Part No.	Description	Qty	U/M
1	T14152	BOLT	2.0	EA
2	T9345	HEAVY DUTY WASHER	2.0	EA
3	T13457	NYLOC NUT	2.0	EA
4	T13984	RAM PIN	1.0	EA
*	T103577	TIPPING RAM	1.0	EA
*	T54166	SEAL KIT	1.0	EA
*	T54175	PISTON ROD	1.0	EA
*	T53477	GREASE NIPPLE	2.0	EA
*	T54167	SCREWED GLAND	1.0	EA
*	T54168	PISTON HEAD	1.0	EA
*	T54179	SOCKET SET SCREW	1.0	EA
12	T13983	RAM PIN	1.0	EA



**STEERING RAM ASSEMBLY**

Item	Part No.	Description	Qty	U/M
1	T14152	BOLT	2.0	EA
2	T9345	HEAVY DUTY WASHER	2.0	EA
3	T13457	NYLOC NUT	2.0	EA
* 4	T100361	RAM PIN	2.0	EA
* 5	T103578	STEERING RAM	1.0	EA
* 7	T54227	ROD ASSEMBLY	1.0	EA
* 8	T53406	GREASE NIPPLE	2.0	EA
* 9	T53478	SEAL KIT	1.0	EA
* 11	T53479	SCREW GLAND	1.0	EA
* 12	T53382	PISTON HEAD	1.0	EA
* 16	T54226	RAM BODY ASSEMBLY	1.0	EA
* 17	T54228	HEX SOCKET SCREW	1.0	EA

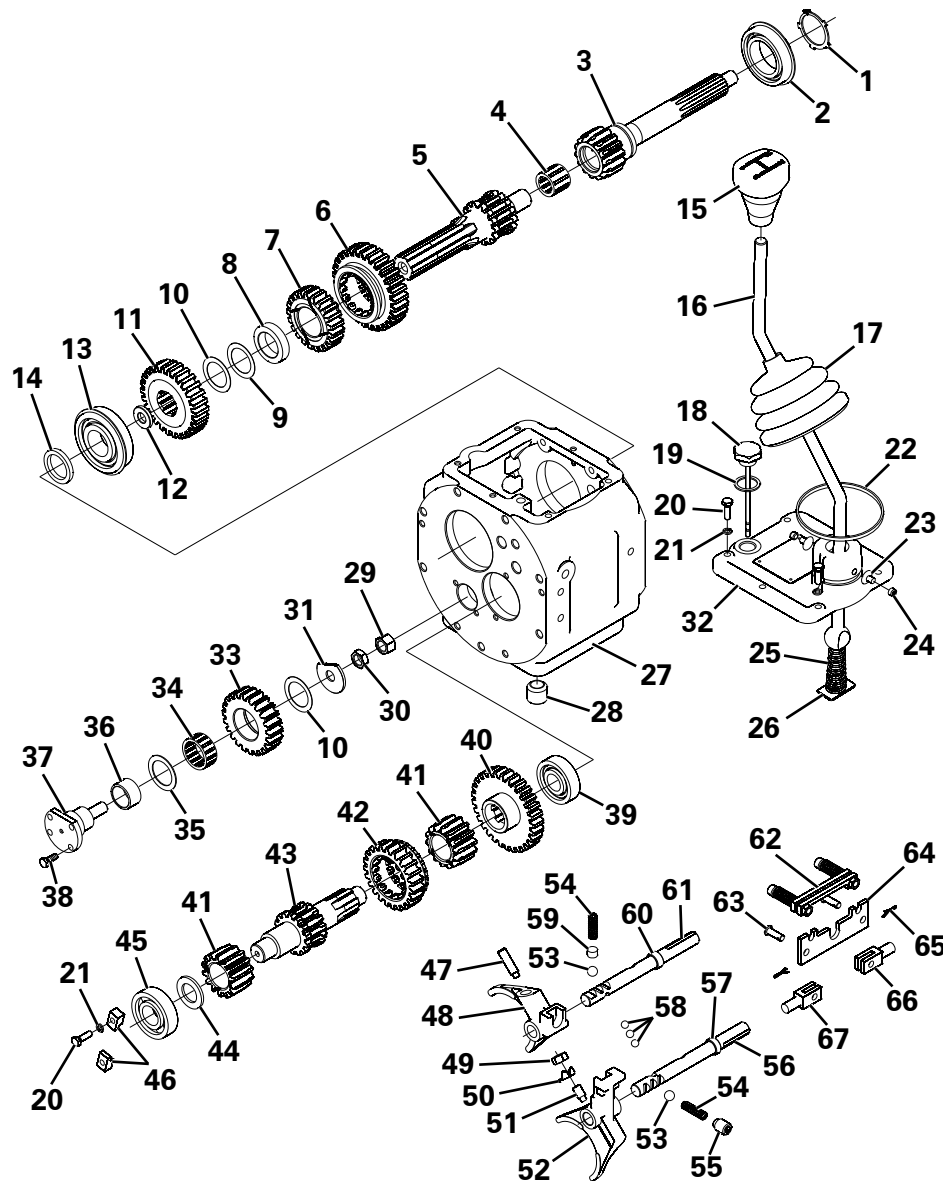




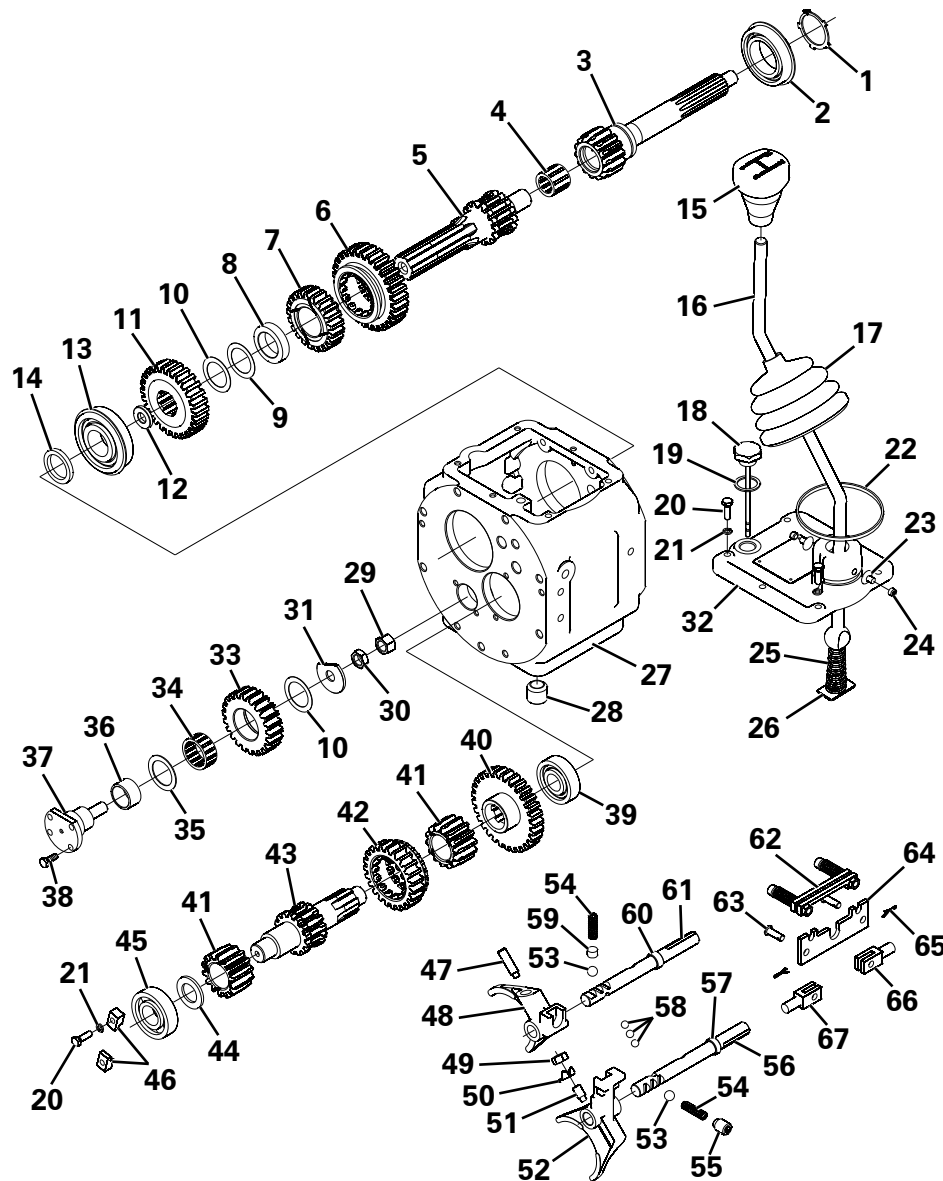
**CLUTCH ASSEMBLY & HYD. PUMP**

Item	Part No.	Description	Qty	U/M
1	T8014	ADAPTOR	1.0	EA
2	T5594	DOWTY WASHER	1.0	EA
3	T6707	WASHER	2.0	EA
4	T14865	SPRING WASHER	10.0	EA
5	T103486	CAPHEAD SCREW	2.0	EA
6	T5637	DOWTY WASHER	1.0	EA
7	T11165	ADAPTOR	1.0	EA
8	T103456	GEAR PUMP	1.0	EA
	T53881	SEAL KIT	1.0	EA
9	T6657	DOWEL	1.0	EA
10	T103417	FLYWHEEL ADAPTOR	1.0	EA
11	T12972	SPRING WASHER	10.0	EA
12	T14152	BOLT	4.0	EA
13	T4520	BUSH	1.0	EA
14	T102468	DRIVEN PLATE	1.0	EA
15	T102452	DOWEL	3.0	EA
16	T7465	SET SCREW	6.0	EA
17	T102467	CLUTCH COVER ASSY	1.0	EA
18	T101969	RELEASE BEARING	1.0	EA
19	T102470	SPRING RETAINER	1.0	EA
20	T101978	PRE-TENSIONER SPRING	1.0	EA
21	T103477	SOCKET HEAD CAP SCREW	8.0	EA
22	T103450	GEARBOX	1.0	EA

**GEARBOX - INTERNAL**



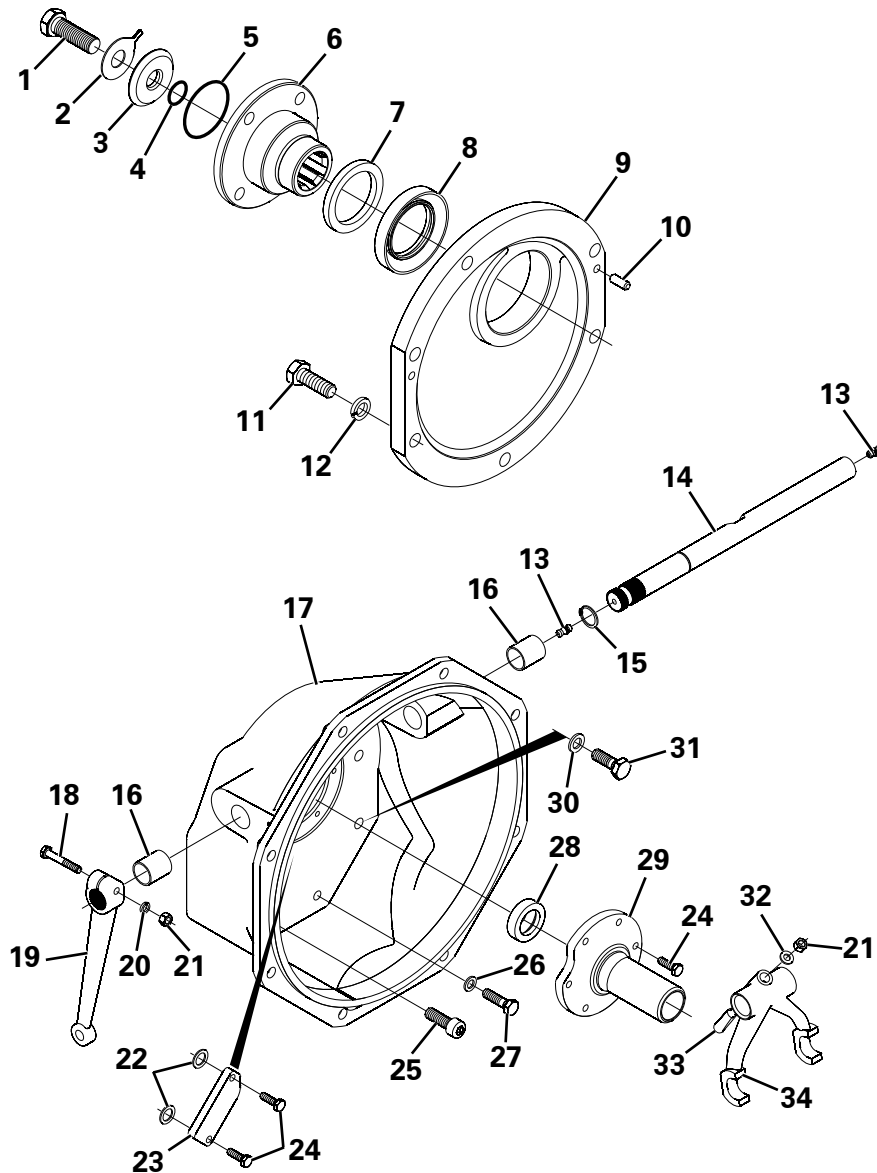
Item	Part No.	Description	Qty	U/M
1	T53992	CIRCLIP	1.0	EA
2	T53991	BEARING	1.0	EA
3	T53989	SHAFT	1.0	EA
4	T53988	NEEDLE BEARING	1.0	EA
5	T54000	SHAFT	1.0	EA
6	T53999	GEAR	1.0	EA
7	T53998	GEAR	1.0	EA
8	T53997	SPACER	1.0	EA
9	T53996	SHIM	1.0	EA
10	T53995	SHIM	2.0	EA
11	T53994	GEAR	1.0	EA
12	T53993	SPACER	1.0	EA
13	T54015	BALL BEARING	1.0	EA
14	T54025	SPACER	1.0	EA
15	T54001	KNOB	1.0	EA
16	T54002	LEVER	1.0	EA
17	T54035	RUBBER BOOT	1.0	EA
18	T54003	DIPSTICK	1.0	EA
19	T54004	SEAL WASHER	1.0	EA
20	T54005	HEXAGON BOLT	8.0	EA
21	T54006	SPRING WASHER	8.0	EA
22	T54008	CLIP	1.0	EA
23	T54009	PIN	2.0	EA
24	T54010	BOLT	2.0	EA
25	T54011	SPRING	1.0	EA
26	T54038	STOP	1.0	EA
27	T54032	HOUSING	1.0	EA
28	T54034	PLUG	1.0	EA
29	T54016	NUT	1.0	EA
30	T54017	NUT	1.0	EA
31	T54018	WASHER	1.0	EA
32	T54007	GEAR CHANGE COVER	1.0	EA
33	T54019	GEAR	1.0	EA
34	T54020	NEEDLE BEARING	1.0	EA



**GEARBOX - INTERNAL**

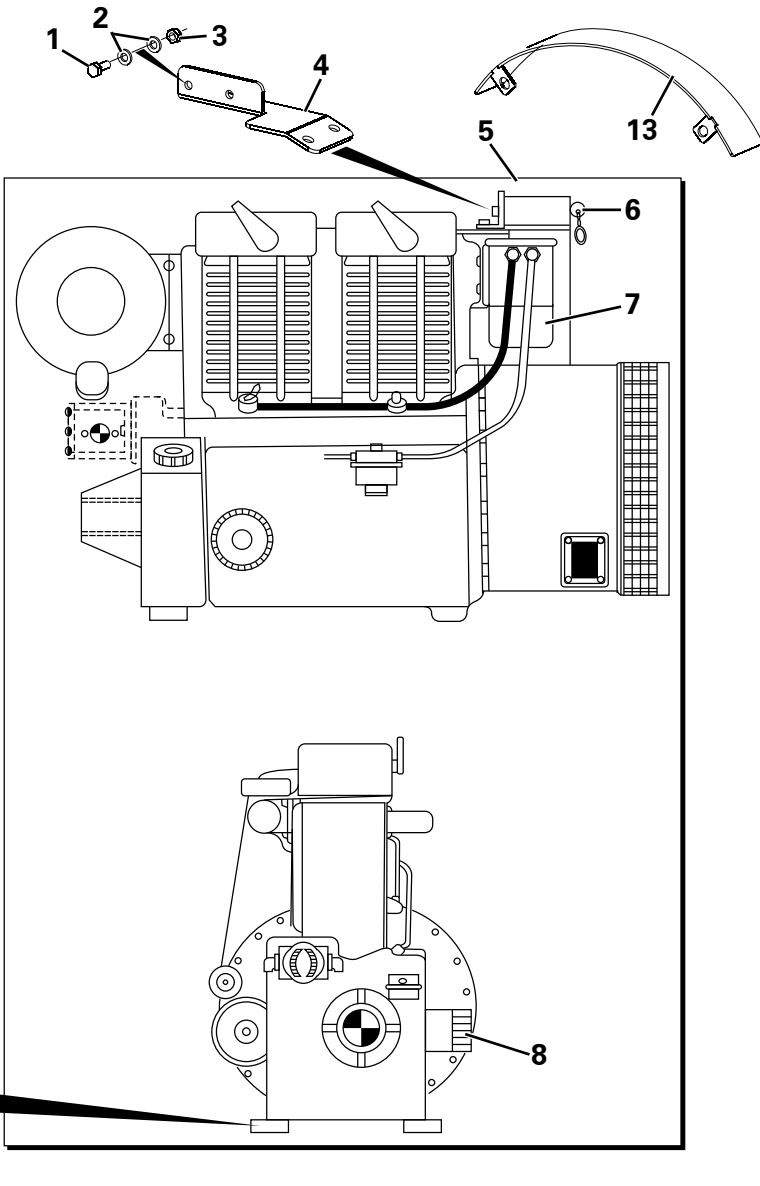
Item	Part No.	Description	Qty	U/M
35	T54021	WASHER	1.0	EA
36	T54024	BUSHING	1.0	EA
37	T54023	PIN	1.0	EA
38	T54022	HEXAGON BOLT	4.0	EA
39	T53990	BEARING	1.0	EA
40	T53974	GEAR	1.0	EA
41	T53975	GEAR	2.0	EA
42	T53976	GEAR	1.0	EA
43	T53977	SHAFT	1.0	EA
44	T53978	WASHER	1.0	EA
45	T54026	BALL BEARING	1.0	EA
46	T54033	PIN	1.0	EA
47	T54013	BOLT	1.0	EA
48	T54014	FORK	1.0	EA
49	T53939	NUT	1.0	EA
50	T54030	STOP	1.0	EA
51	T54036	BOLT	1.0	EA
52	T54031	FORK	1.0	EA
53	T53981	DETEND BALL	2.0	EA
54	T53980	SPRING	2.0	EA
55	T53979	BOLT	1.0	EA
56	T54028	BAR	1.0	EA
57	T54040	SPACER	1.0	EA
58	T54012	DETEND BALL	3.0	EA
59	T54037	PIN	1.0	EA
60	T54039	SPACER	1.0	EA
61	T54027	BAR	1.0	EA
62	T53986	FORK LEVER PLATE	1.0	EA
63	T53985	PIN	2.0	EA
64	T53984	SHEET	1.0	EA
65	T53983	SPLIT PIN	2.0	EA
66	T53982	FORK	1.0	EA
67	T53987	FORK	1.0	EA





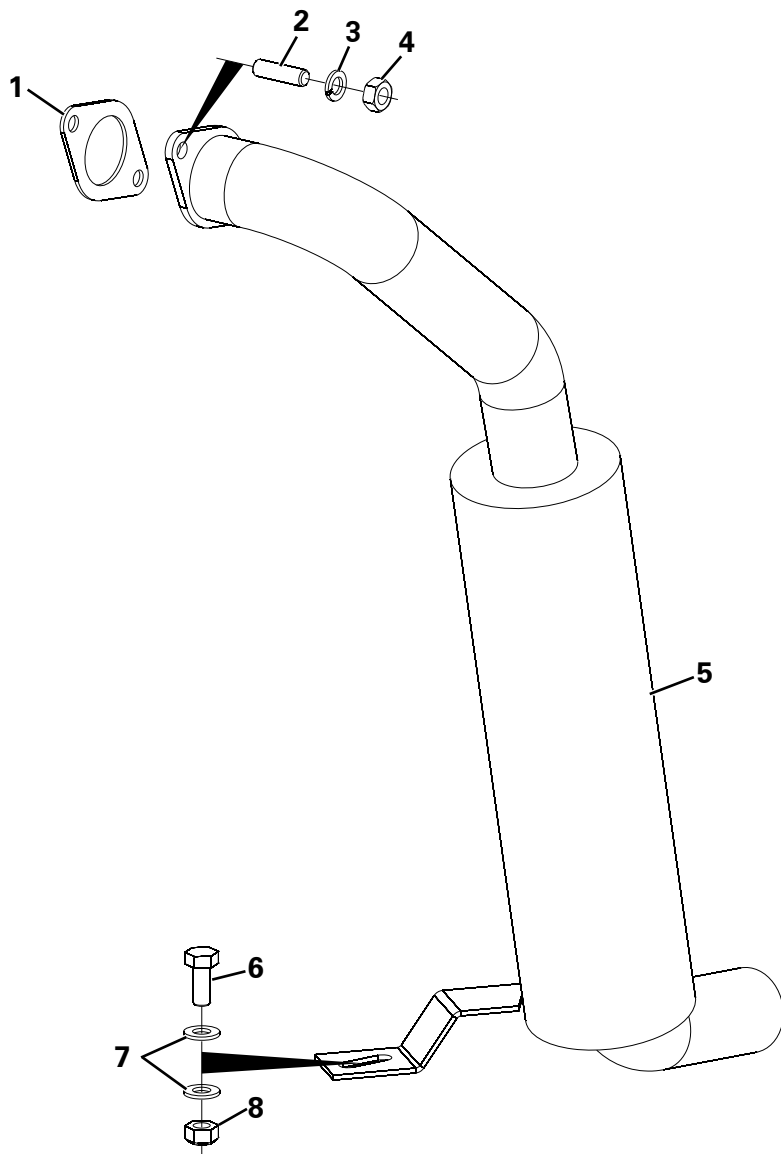
**GEARBOX - INPUT & OUTPUT**

Item	Part No.	Description	Qty	U/M
18	T54054	HEXAGON BOLT	1.0	EA
19	T54052	LEVER	1.0	EA
20	T54053	SPRING WASHER	1.0	EA
21	T54041	NUT	2.0	EA
22	T54050	WASHER	2.0	EA
23	T54049	SHEET	1.0	EA
24	T54005	HEXAGON BOLT	8.0	EA
25	T54045	CYLINDER BOLT	3.0	EA
26	T54047	LOCK WASHER	2.0	EA
27	T54046	BOLT	2.0	EA
28	T54051	SEAL	1.0	EA
29	T54048	SUPPORT	1.0	EA
30	T54058	LOCK WASHER	3.0	EA
31	T54044	HEXAGON BOLT	3.0	EA
32	T54042	LOCK WASHER	1.0	EA
33	T54043	PIN	1.0	EA
34	T54029	FORK	1.0	EA



**ENGINE ACCESSORIES & FIXINGS**

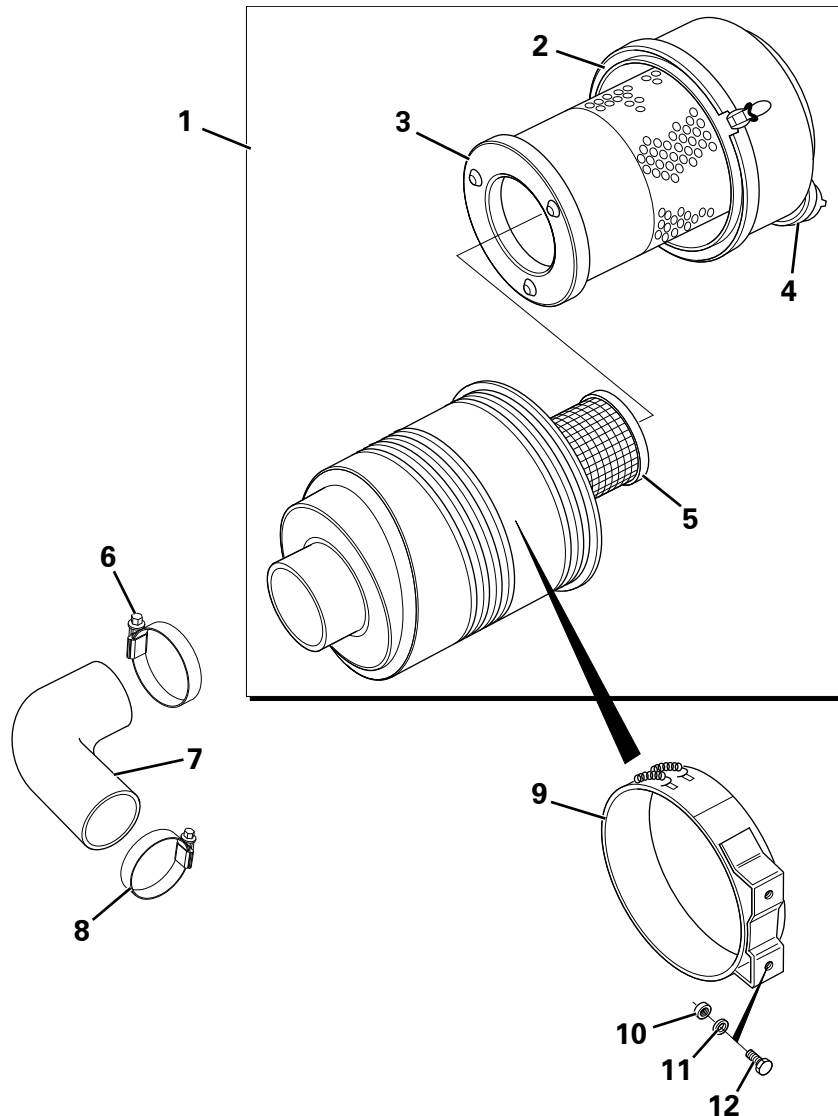
Item	Part No.	Description	Qty	U/M
1	T16477	SET SCREW	2.0	EA
2	T13911	WASHER	4.0	EA
3	T16481	NYLOC NUT	2.0	EA
4	T18798	IGNITION SWITCH BRKT	1.0	EA
5	T102349	ENGINE	1.0	EA
6	T4292	IGNITION KEY	1.0	EA
7	T53503	FUEL FILTER	1.0	EA
8	T53502	OIL FILTER	1.0	EA
9	T6809	BOLT	4.0	EA
10	T6711	WASHER	4.0	EA
11	T6769	HEAVY DUTY WASHER	4.0	EA
12	T11345	PHILIDAS NUT	4.0	EA
13	T102206	ENGINE RAIN COVER	1.0	EA



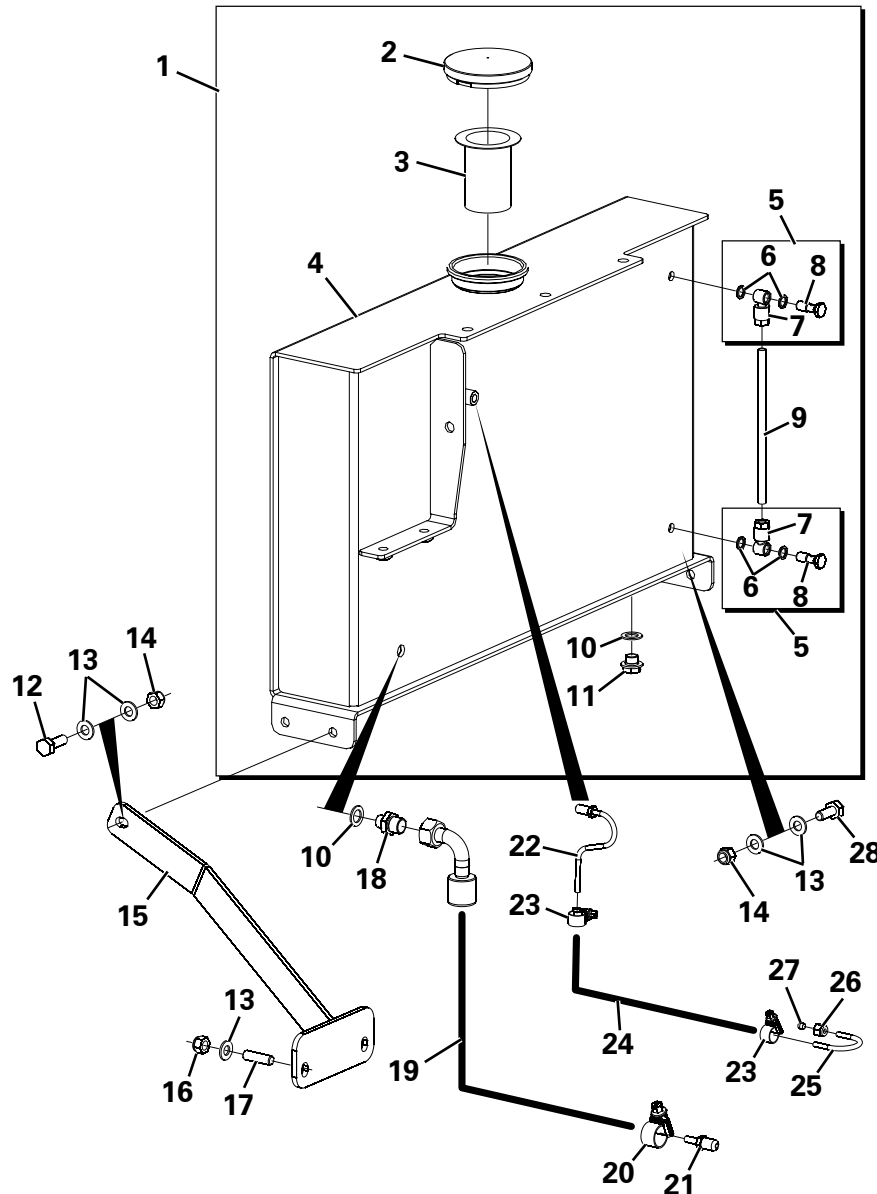
**EXHAUST SYSTEM**

Item	Part No.	Description	Qty	U/M
1	T11767	EXHAUST GASKET	1.0	EA
* 2	T17748	EXHAUST MOUNTING STUD	2.0	EA
3	T14865	SPRING WASHER	2.0	EA
4	T7464	NUT	2.0	EA
5	T18801	SILENCER	1.0	EA
6	T7466	SET SCREW	1.0	EA
7	T10734	HEAVY DUTY WASHER	2.0	EA
8	T13064	PHILIDAS NUT	1.0	EA

**AIR CLEANER ASSEMBLY**

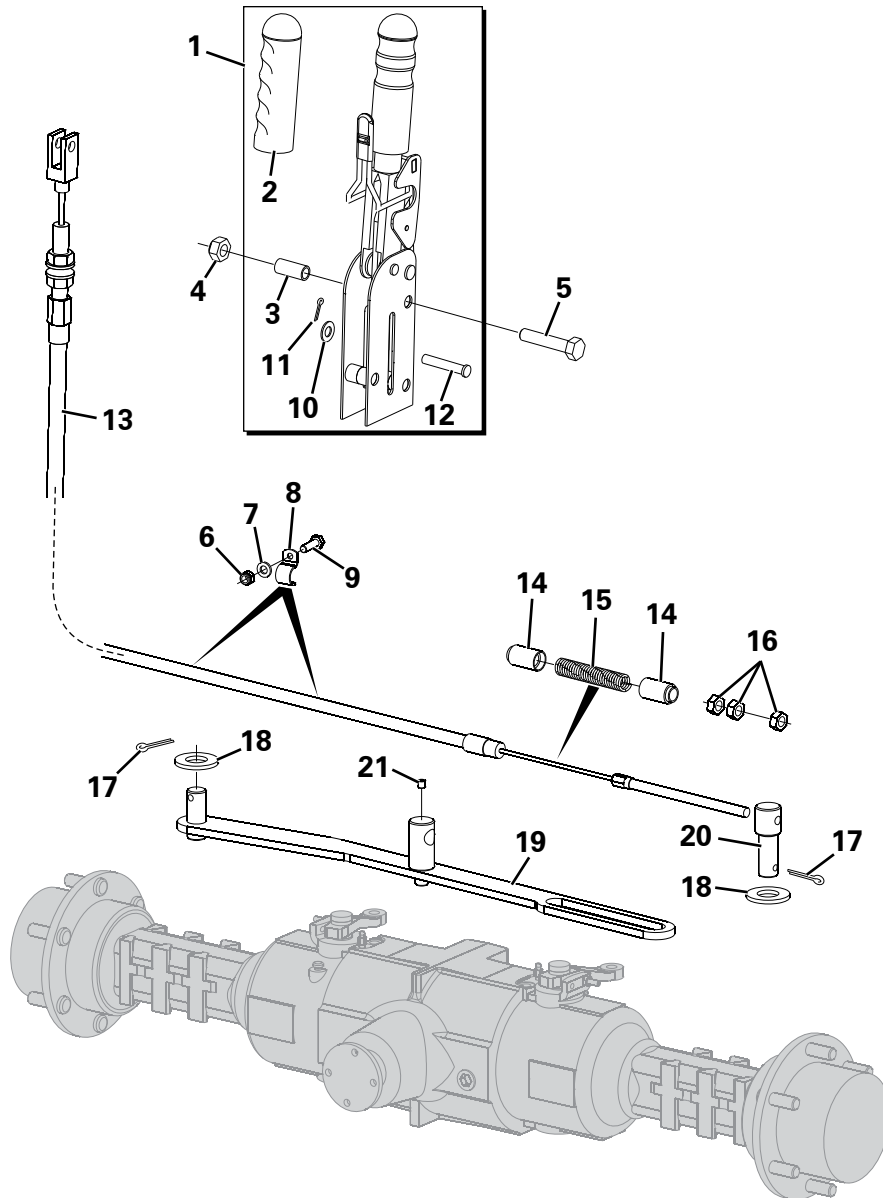


Item	Part No.	Description	Qty	U/M
1	T15335	AIR CLEANER	1.0	EA
2	T15888	COVER ASSEMBLY	1.0	EA
3	T15832	OUTER AIR FILTER	1.0	EA
4	T15887	VACUATOR VALVE	1.0	EA
5	T15833	INNER AIR FILTER	1.0	EA
6	T11667	JUBILEE CLIP	1.0	EA
7	T53278	AIR INLET HOSE	1.0	EA
8	T7540	JUBILEE CLIP	1.0	EA
9	T15336	MOUNTING BAND	1.0	EA
10	T9775	NUT	2.0	EA
11	T12972	SPRING WASHER	2.0	EA
12	T7465	SET SCREW	2.0	EA



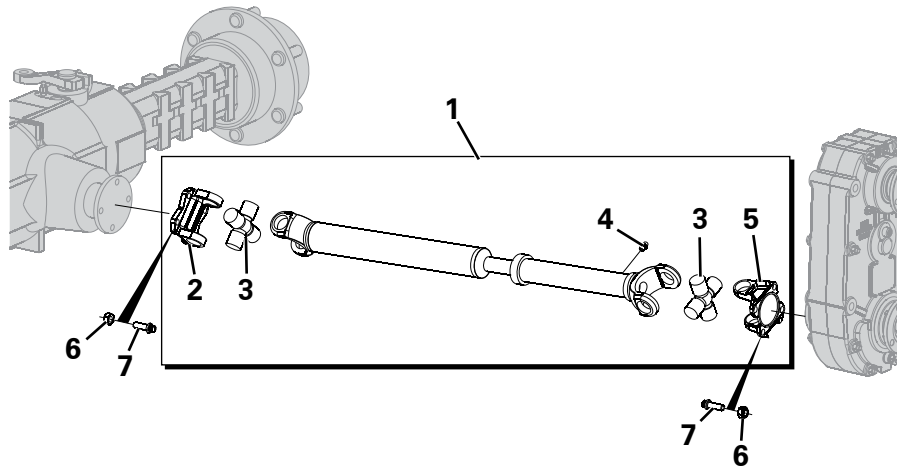
**FUEL TANK ASSEMBLY**

Item	Part No.	Description	Qty	U/M
* 1	T103629	DIESEL TANK ASSY	1.0	EA
2	T7150	FILLER CAP	1.0	EA
3	T7153	FILLER FILTER	1.0	EA
* 4	T103630	DIESEL TANK	1.0	EA
5	T103526	BANJO FITTING ASSY	2.0	EA
6	T103529	BANJO SEAL	4.0	EA
7	T103528	BANJO FITTING	2.0	EA
8	T103527	BANJO BOLT	2.0	EA
9	T16647	SIGHT LEVEL TUBE	1.0	EA
10	T5695	FIBRE WASHER	2.0	EA
11	T7262	BLANKING PLUG	1.0	EA
12	T16505	SET SCREW	1.0	EA
13	T10734	HEAVY DUTY WASHER	8.0	EA
14	T101724	NYLOC NUT	4.0	EA
15	T103483	GEARBOX BRKT ASSY RH	1.0	EA
16	T7631	PHILIDAS NUT	2.0	EA
17	T14459	GEARBOX STUD	2.0	EA
18	T12118	ADAPTOR	1.0	EA
19	T17552	FUEL HOSE TANK/FILTER	1.0	EA
20	T10892	JUBILEE CLIP	1.0	EA
21	T13735	FUEL PUMP CONNECTOR	1.0	EA
22	T12943	DIESEL LEAK OFF PIPE	1.0	EA
23	T19154	JUBILEE CLIP	2.0	EA
24	T20865	LEAK OFF TUBE	1.0	EA
25	T20864	LEAK OFF PIPE "U" BEND	1.0	EA
26	T12052	FEMALE NUT	1.0	EA
27	T12053	TUBE OLIVE	1.0	EA
28	T20618	SET SCREW	3.0	EA



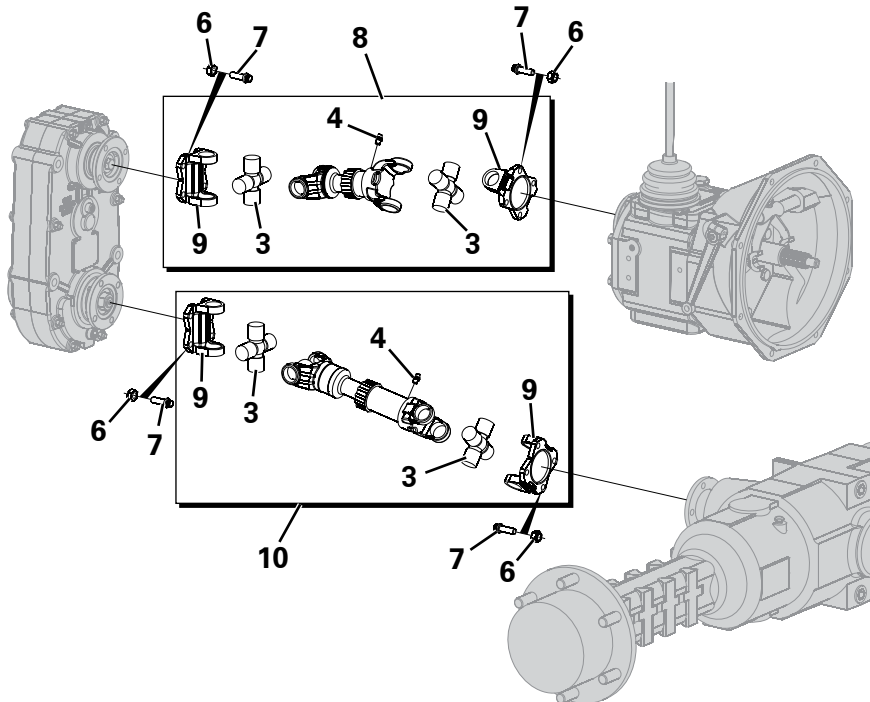
**HANDBRAKE ASSEMBLY**

Item	Part No.	Description	Qty	U/M
1	T100893	OVERCENTRE HANDBRAKE	1.0	EA
2	T52947	GRIP	1.0	EA
3	T10869	SPACER	2.0	EA
4	T13064	PHILIDAS NUT	2.0	EA
5	T16501	BOLT	2.0	EA
6	T16481	NYLOC NUT	2.0	EA
7	T13911	WASHER	2.0	EA
8	T12335	CABLE CLIP	2.0	EA
9	T16477	SET SCREW	2.0	EA
10	T12973	WASHER	1.0	EA
11	T6744	SPLIT PIN	1.0	EA
12	T54440	CLEVIS PIN	1.0	EA
13	T103448	HANDBRAKE CABLE	1.0	EA
14	T100909	SPRING SUPPORT	2.0	EA
* 15	T102310	GALVANISED HANDBRAKE SPRING	1.0	EA
16	T6719	NUT	3.0	EA
17	T6751	SPLIT PIN	2.0	EA
18	T100867	WASHER	2.0	EA
19	T102854	HANDBRAKE CABLE LEVER	1.0	EA
20	T102853	HANDBRAKE CABLE GUIDE	1.0	EA
21	T103221	GRUB SCREW	1.0	EA



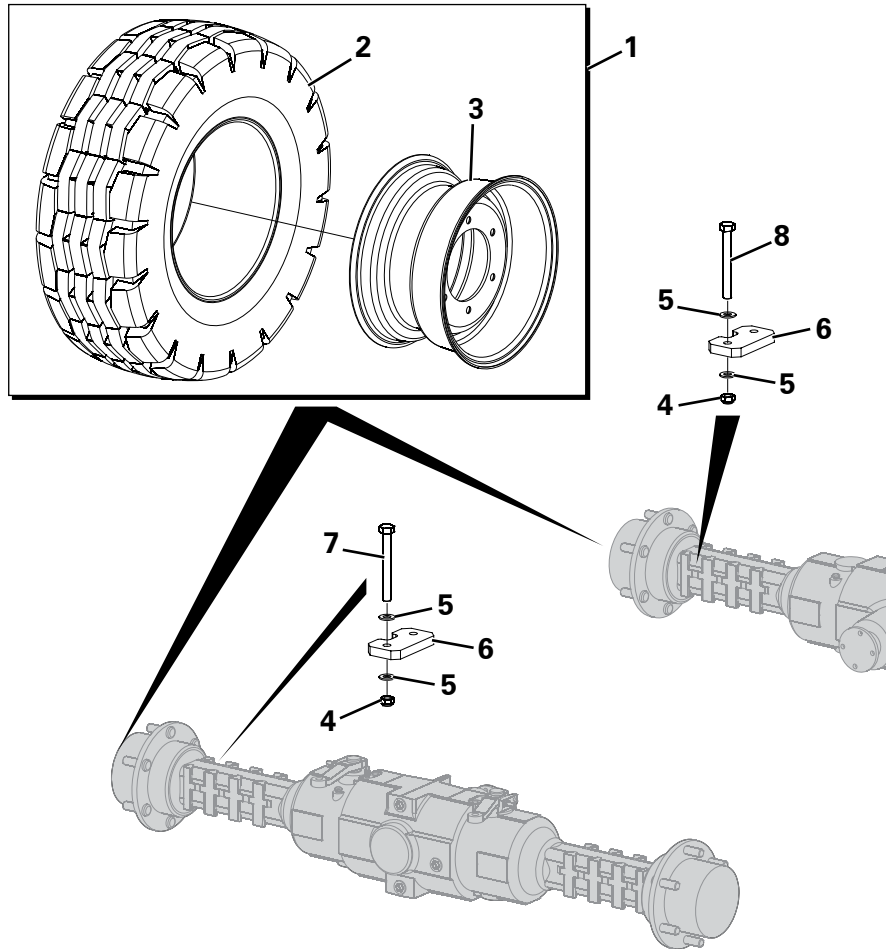
**PROPSHAFTS**

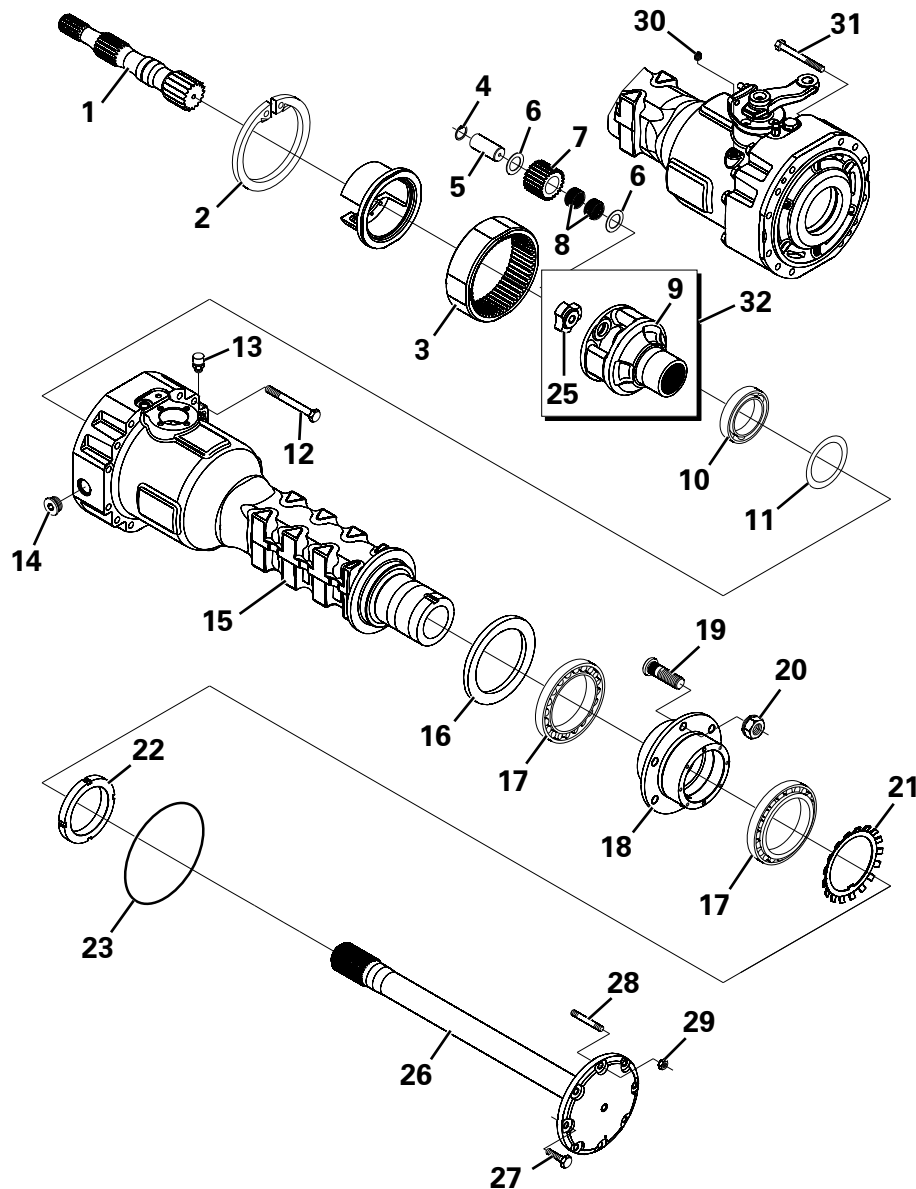
Item	Part No.	Description	Qty	U/M
1	T103418	PROPSHAFT FRONT	1.0	EA
2	T52321	FLANGE	1.0	EA
3	T52320	U.J.KIT	6.0	EA
4	T13454	GREASE NIPPLE	3.0	EA
5	T53182	COUPLING	1.0	EA
6	T102510	PHILIDAS NUT	24.0	EA
7	T102509	BOLT	24.0	EA
8	T103422	PROPSHAFT	1.0	EA
9	T53778	FLANGE	4.0	EA
10	T102450	PROPSHAFT REAR	1.0	EA



**WHEEL ASSEMBLY & AXLE FIXINGS**

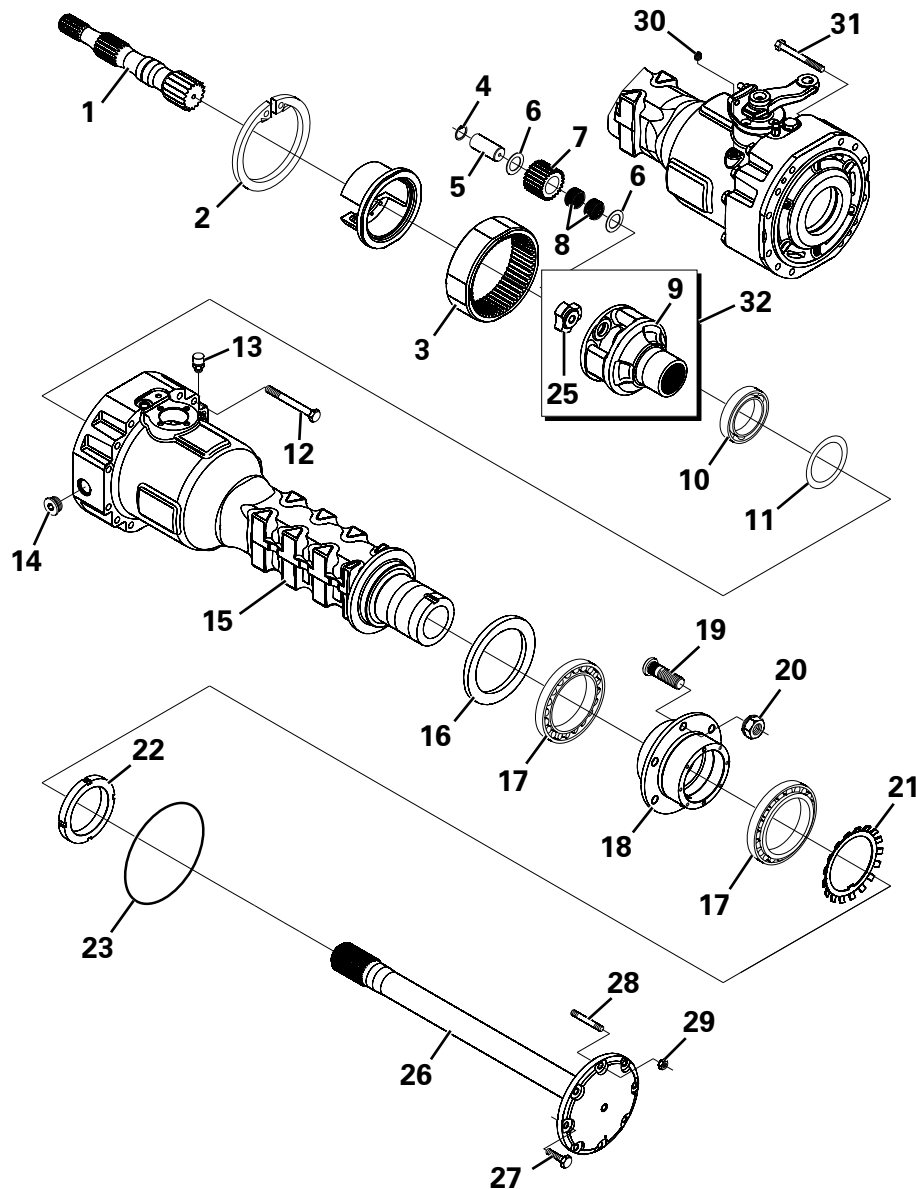
Item	Part No.	Description	Qty	U/M
1	T20999	WHEEL ASSY	4.0	EA
2	T21000	TYRE	1.0	EA
3	T100944	WHEEL RIM	1.0	EA
4	T14910	PHILIDAS NUT	8.0	EA
5	T100867	WASHER	16.0	EA
6	T103488	AXLE CLAMP PLATE	4.0	EA
7	T102704	BOLT	4.0	EA
8	T103518	BOLT	4.0	EA





**FRONT AXLE - HUB REDUCTION**

Item	Part No.	Description	Qty	U/M	
A	T102624	AXLE	1.0	EA	
1	T53915	HALF SHAFT	2.0	EA	
2	T53916	CIRCLIP	2.0	EA	
3	T53917	RING GEAR	2.0	EA	
4	T53544	CIRCLIP	6.0	EA	
5	T53643	PIN	6.0	EA	
6	T53644	FRICION WASHER	12.0	EA	
7	T53642	DIFFERENTIAL PINION	6.0	EA	
8	T53562	NEEDLE ROLLER BEARING	12.0	EA	
*	9	T54130	PLANET GEAR CARRIER	2.0	EA
10	T53919	BALL BEARING	2.0	EA	
11	T53922	SHIM	A/R	EA	
	T53576	SHIM	A/R	EA	
	T53577	SHIM	A/R	EA	
	T53582	SHIM	A/R	EA	
	T53583	SHIM	A/R	EA	
*	12	T54138	HEXAGON BOLT	12.0	EA
13	T53765	VENT	1.0	EA	

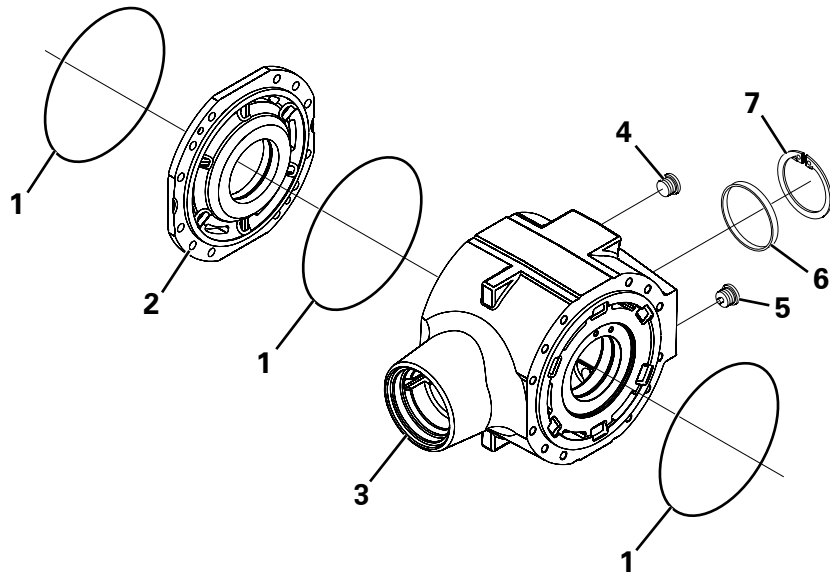


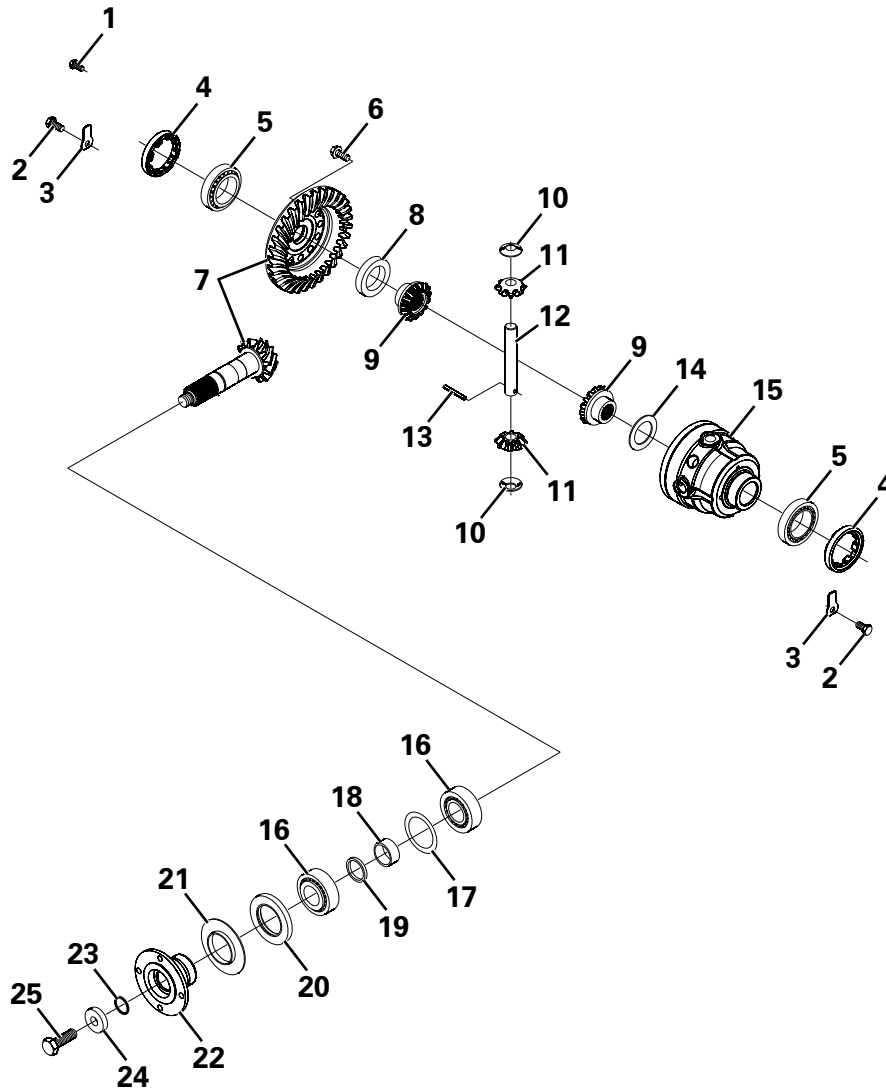
**FRONT AXLE - HUB REDUCTION**

Item	Part No.	Description	Qty	U/M
	14	T53663 PLUG	2.0	EA
	15	T53951 AXLE CASE	2.0	EA
	*16	T54125 HUB SEAL	2.0	EA
	17	T53913 TAPER ROLLER BEARING	4.0	EA
	*18	T54139 WHEEL HUB	2.0	EA
	19	T53773 WHEEL STUD	12.0	EA
	20	T53567 WHEEL NUT	12.0	EA
	21	T53872 TAB WASHER	2.0	EA
	22	T53912 RING NUT	2.0	EA
	23	T53870 O RING	2.0	EA
	*25	T54131 SPACER	2.0	EA
	26	T53947 HALF SHAFT	2.0	EA
	27	T53907 HEXAGON BOLT	12.0	EA
	*28	T54140 STUD	4.0	EA
	*29	T54141 NUT	4.0	EA
	30	T53615 PLUG	1.0	EA
	31	T53924 HEXAGON BOLT	12.0	EA
	*32	T54132 PLANET CARRIER C/W SPACER	2.0	EA

**FRONT AXLE - CENTRAL HOUSING**

Item	Part No.	Description	Qty	U/M
1	T53873	O RING	3.0	EA
2	T53891	INTERMEDIATE COVER	1.0	EA
* 3	T54137	HOUSING	1.0	EA
4	T53663	PLUG	1.0	EA
5	T53664	MAGNET PLUG	1.0	EA
6	T53709	PLUG	1.0	EA
7	T53855	CIRCLIP	1.0	EA

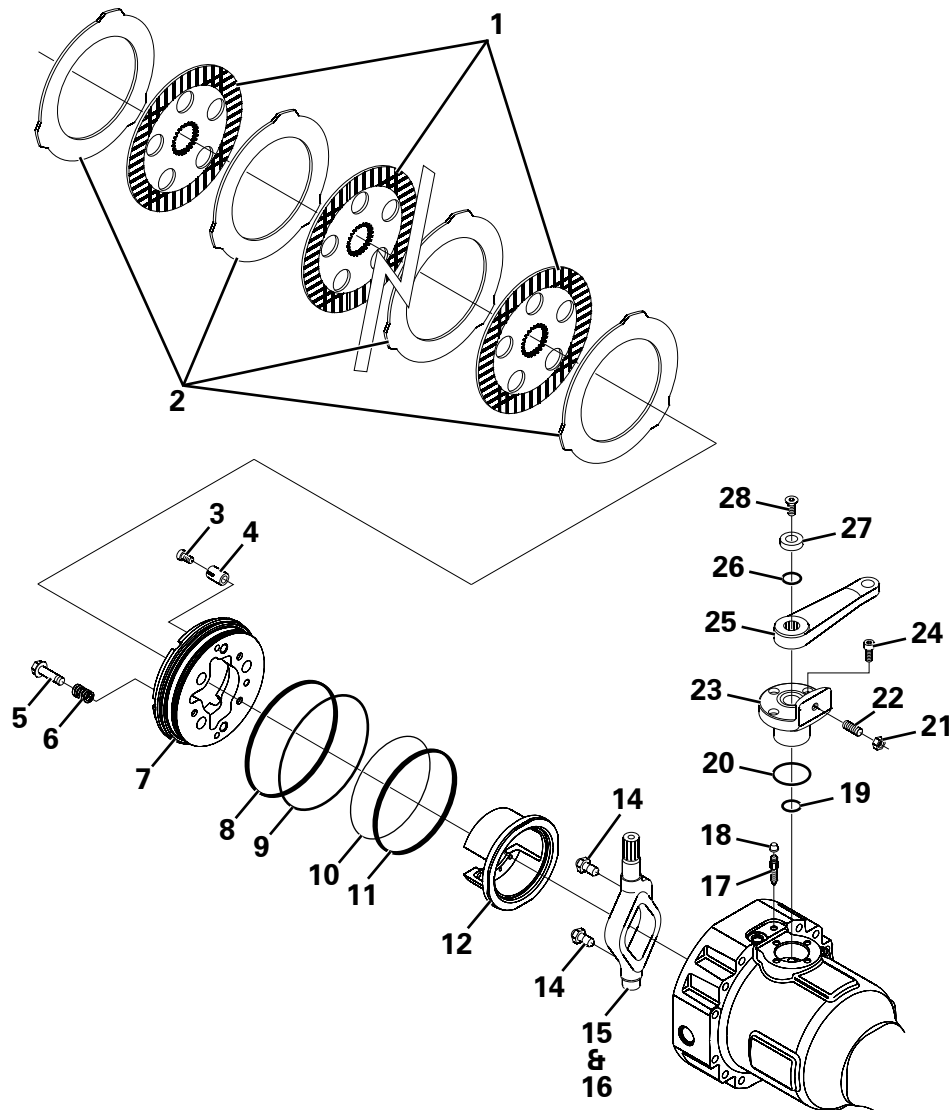




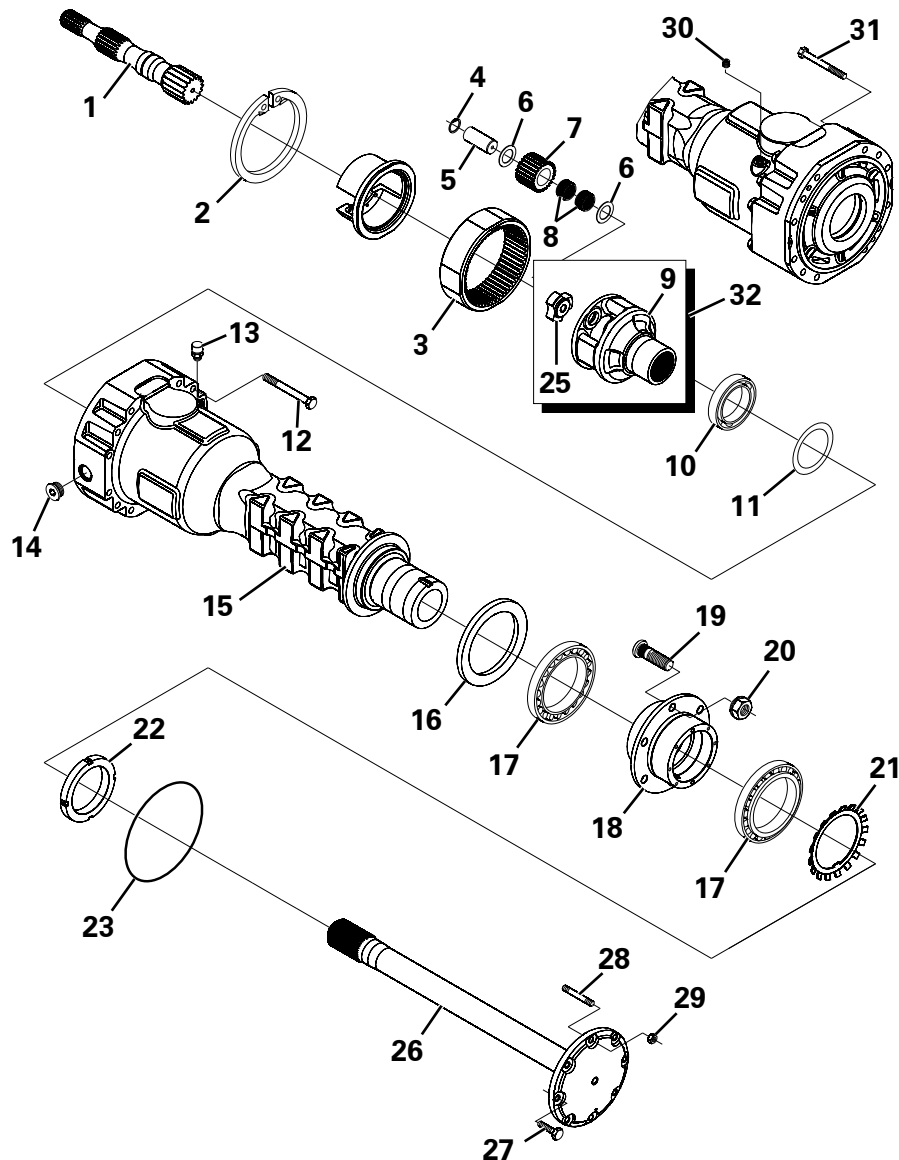
**FRONT AXLE - DIFFERENTIAL**

Item	Part No.	Description	Qty	U/M
1	T53897	CYLINDER BOLT	2.0	EA
2	T53896	HEXAGON BOLT	2.0	EA
3	T53895	LOCKING PLATE	2.0	EA
4	T53898	RING NUT	2.0	EA
5	T53555	TAPER ROLLER BEARING	2.0	EA
6	T53616	BOLT	12.0	EA
7	T53925	BEVEL GEAR SET	1.0	EA
8	T53899	SPACER	1.0	EA
9	T53900	DIFFERENTIAL SIDE GEAR	2.0	EA
10	T53901	WASHER	2.0	EA
11	T53902	DIFFERENTIAL PINION	2.0	EA
12	T53903	DIFFERENTIAL SHAFT	1.0	EA
13	T53904	ROLL PIN	1.0	EA
14	T53905	FRICTION WASHER	1.0	EA
15	T53906	DIFFERENTIAL CARRIER	1.0	EA
16	T53558	BEARING	2.0	EA
17	T53579	SHIM	A/R	EA
	T53580	SHIM	A/R	EA
	T53581	SHIM	A/R	EA
18	T53630	SPACER	1.0	EA
19	T53748	RING	1.0	EA
	T53752	RING	1.0	EA
20	T53522	SEAL	1.0	EA
21	T53774	COVER PLATE	1.0	EA
22	T53764	FLANGE	1.0	EA
23	T53523	O RING	1.0	EA
24	T53893	WASHER	1.0	EA
25	T53598	BOLT	1.0	EA

**FRONT AXLE - BRAKES**

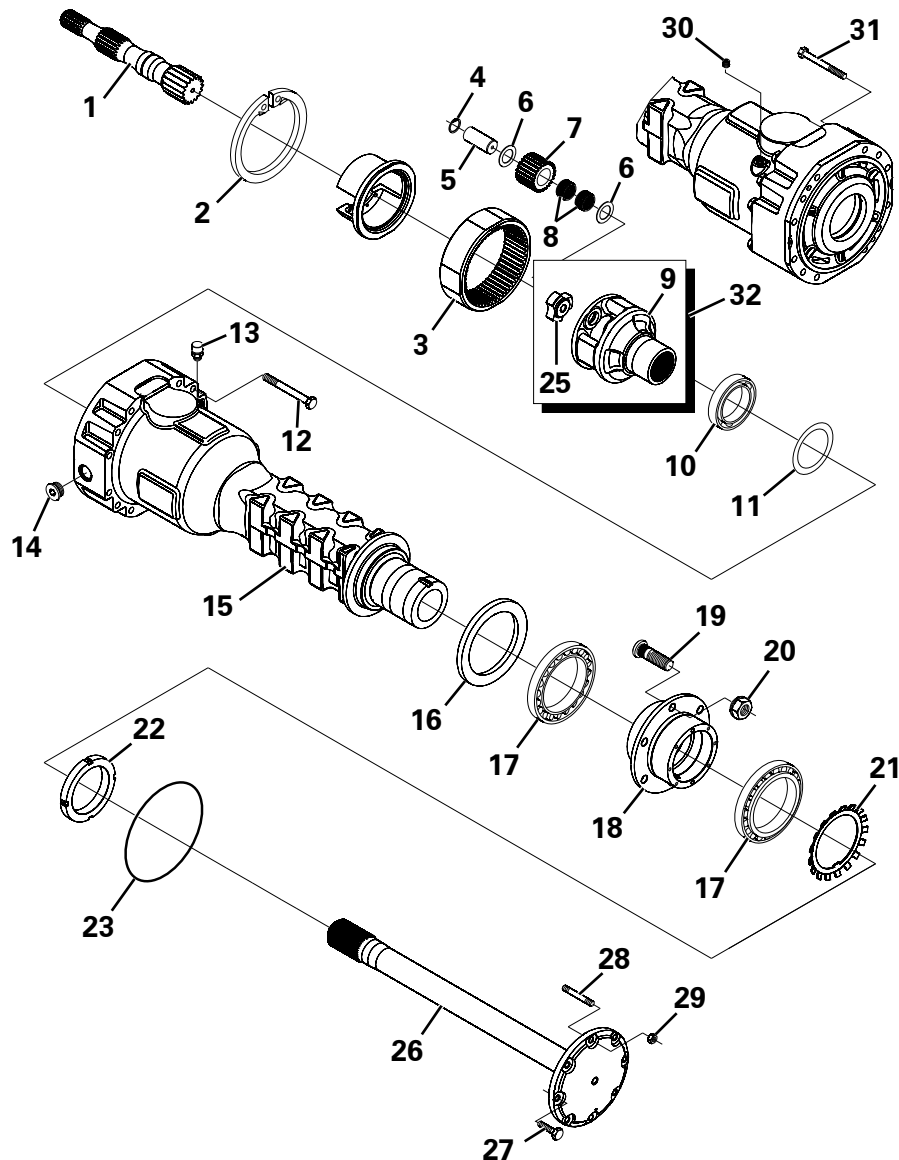


Item	Part No.	Description	Qty	U/M
1	T53875	BRAKE DISC	6.0	EA
2	T53874	BRAKE DISC	8.0	EA
3	T53933	ADJUSTING BOLT	6.0	EA
4	T53692	SPRING	6.0	EA
5	T53931	ADJUSTING BOLT	6.0	EA
6	T53932	SPRING	6.0	EA
7	T53934	PISTON	4.0	EA
8	T53698	BACKUP RING	2.0	EA
9	T53696	O RING	2.0	EA
10	T53695	O RING	2.0	EA
11	T53697	BACKUP RING	2.0	EA
12	T53929	SELECTOR	2.0	EA
14	T53928	PUSHER	4.0	EA
15	T53926	LEVER LH	1.0	EA
16	T53927	LEVER RH	1.0	EA
17	T53767	BLEEDING BOLT	2.0	EA
18	T53768	PLUG	2.0	EA
19	T53534	O RING	2.0	EA
20	T53533	O RING	2.0	EA
21	T53939	NUT	2.0	EA
22	T53938	GRUB BOLT	2.0	EA
23	T53937	REDUCTION BUSHING	2.0	EA
24	T53604	CYLINDER BOLT	6.0	EA
25	T53936	LEVER	2.0	EA
26	T53530	O RING	2.0	EA
27	T53722	WASHER	2.0	EA
28	T53609	COUNTERSUNK BOLT	2.0	EA



**REAR AXLE - HUB REDUCTION**

Item	Part No.	Description	Qty	U/M	
A	T102625	AXLE	1.0	EA	
1	T53915	HALF SHAFT	2.0	EA	
2	T53916	CIRCLIP	2.0	EA	
3	T53917	RING GEAR	2.0	EA	
4	T53544	CIRCLIP	6.0	EA	
5	T53643	PIN	6.0	EA	
6	T53644	FRICTION WASHER	12.0	EA	
7	T53642	DIFFERENTIAL PINION	6.0	EA	
8	T53562	NEEDLE ROLLER BEARING	12.0	EA	
*	9	T54130	PLANET GEAR CARRIER	2.0	EA
10	T53919	BALL BEARING	2.0	EA	
11	T53922	SHIM	A/R	EA	
	T53576	SHIM	A/R	EA	
	T53577	SHIM	A/R	EA	
	T53582	SHIM	A/R	EA	
	T53583	SHIM	A/R	EA	
* 12	T54138	HEXAGON BOLT	12.0	EA	
13	T53765	VENT	1.0	EA	

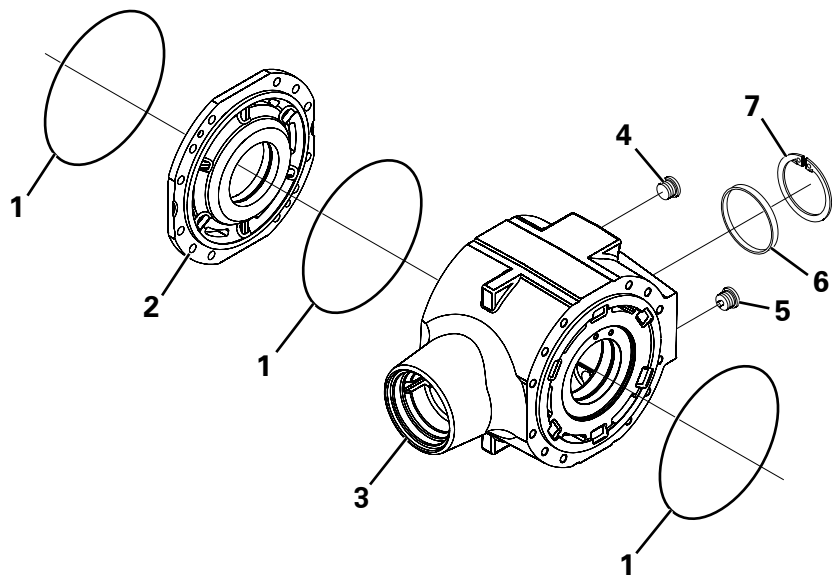


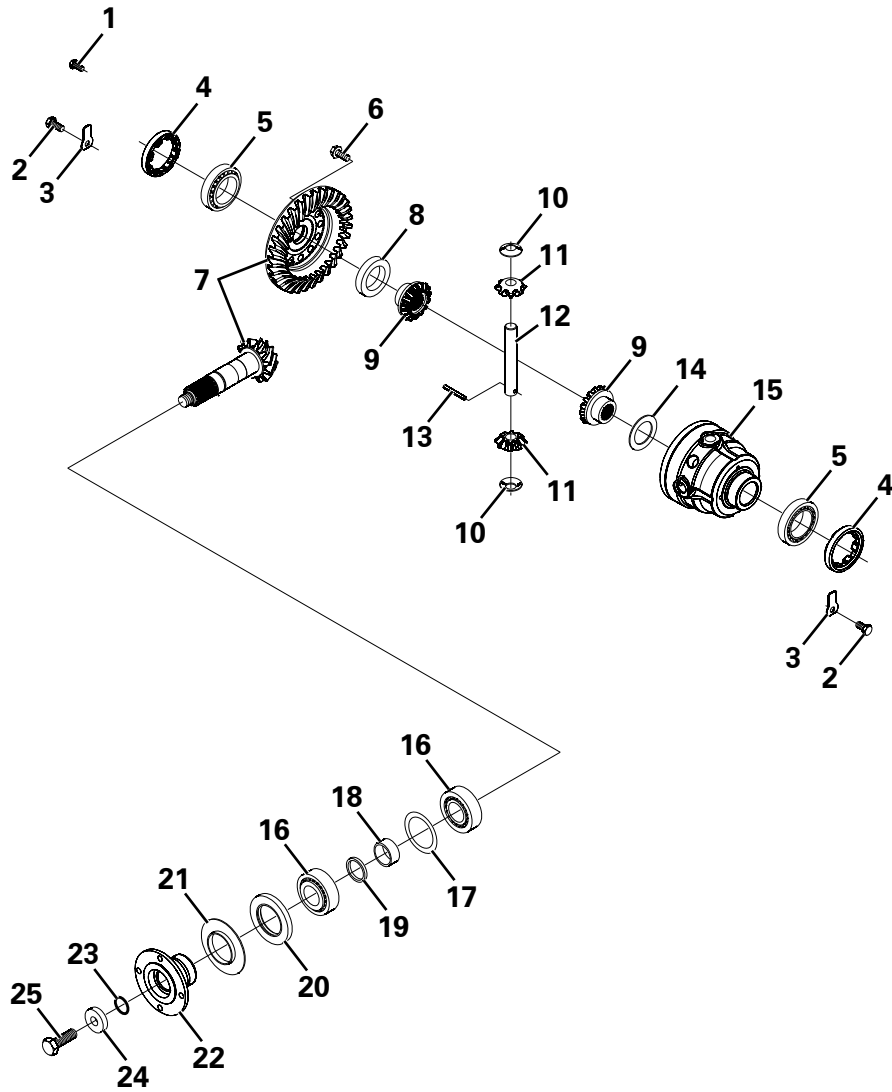
**REAR AXLE - HUB REDUCTION**

Item	Part No.	Description	Qty	U/M
	14	T53663 PLUG	2.0	EA
	15	T53948 AXLE CASE	2.0	EA
	*16	T54125 HUB SEAL	2.0	EA
	17	T53913 TAPER ROLLER BEARING	4.0	EA
	*18	T54139 WHEEL HUB	2.0	EA
	19	T53773 WHEEL STUD	12.0	EA
	20	T53567 WHEEL NUT	12.0	EA
	21	T53872 TAB WASHER	2.0	EA
	22	T53912 RING NUT	2.0	EA
	23	T53870 O RING	2.0	EA
	*25	T54131 SPACER	2.0	EA
	26	T53947 HALF SHAFT	2.0	EA
	27	T53907 HEXAGON BOLT	12.0	EA
	*28	T54140 STUD	4.0	EA
	*29	T54141 NUT	4.0	EA
	30	T53615 PLUG	1.0	EA
	31	T53924 HEXAGON BOLT	12.0	EA
	*32	T54132 PLANET CARRIER C/W SPACER	2.0	EA

**REAR AXLE - CENTRAL HOUSING**

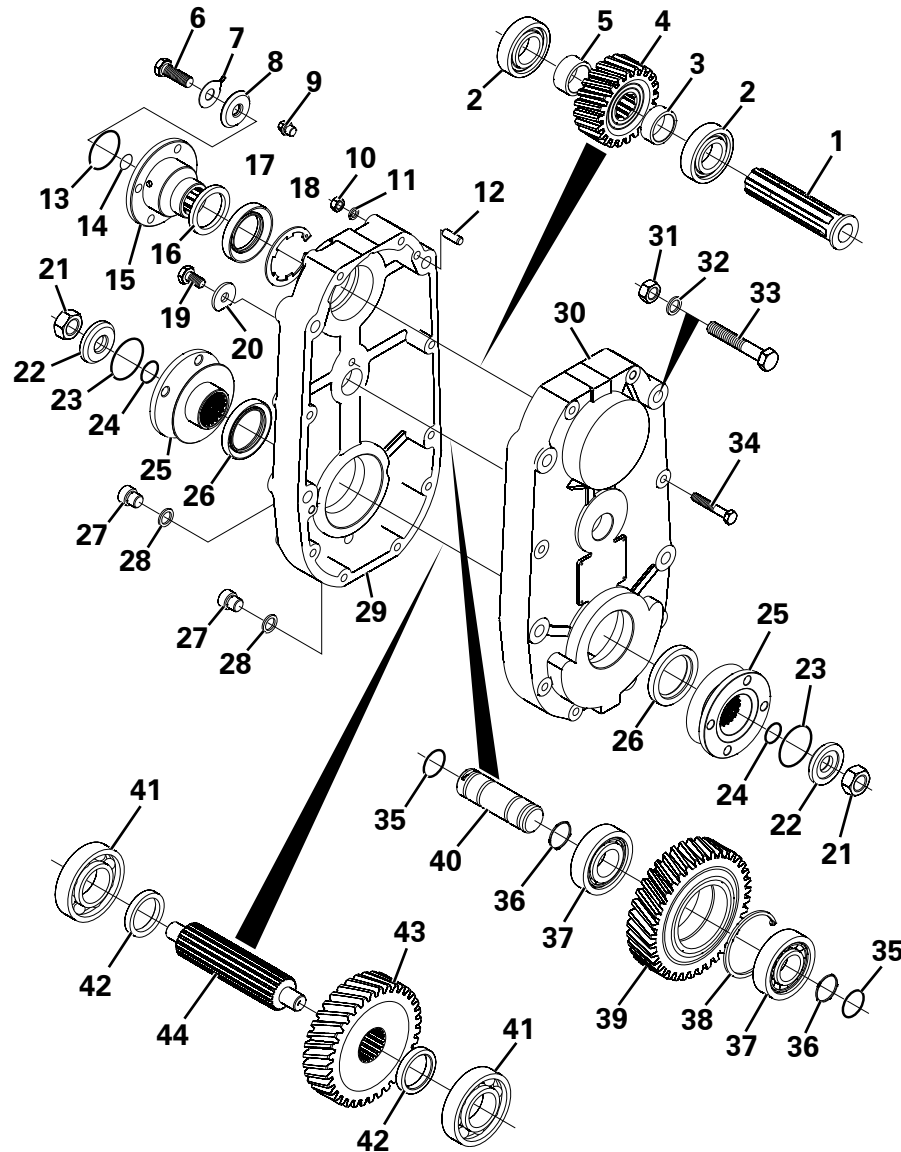
Item	Part No.	Description	Qty	U/M
1	T53873	O RING	3.0	EA
2	T53891	INTERMEDIATE COVER	1.0	EA
* 3	T54137	HOUSING	1.0	EA
4	T53663	PLUG	1.0	EA
5	T53664	MAGNET PLUG	1.0	EA
6	T53709	PLUG	1.0	EA
7	T53855	CIRCLIP	1.0	EA





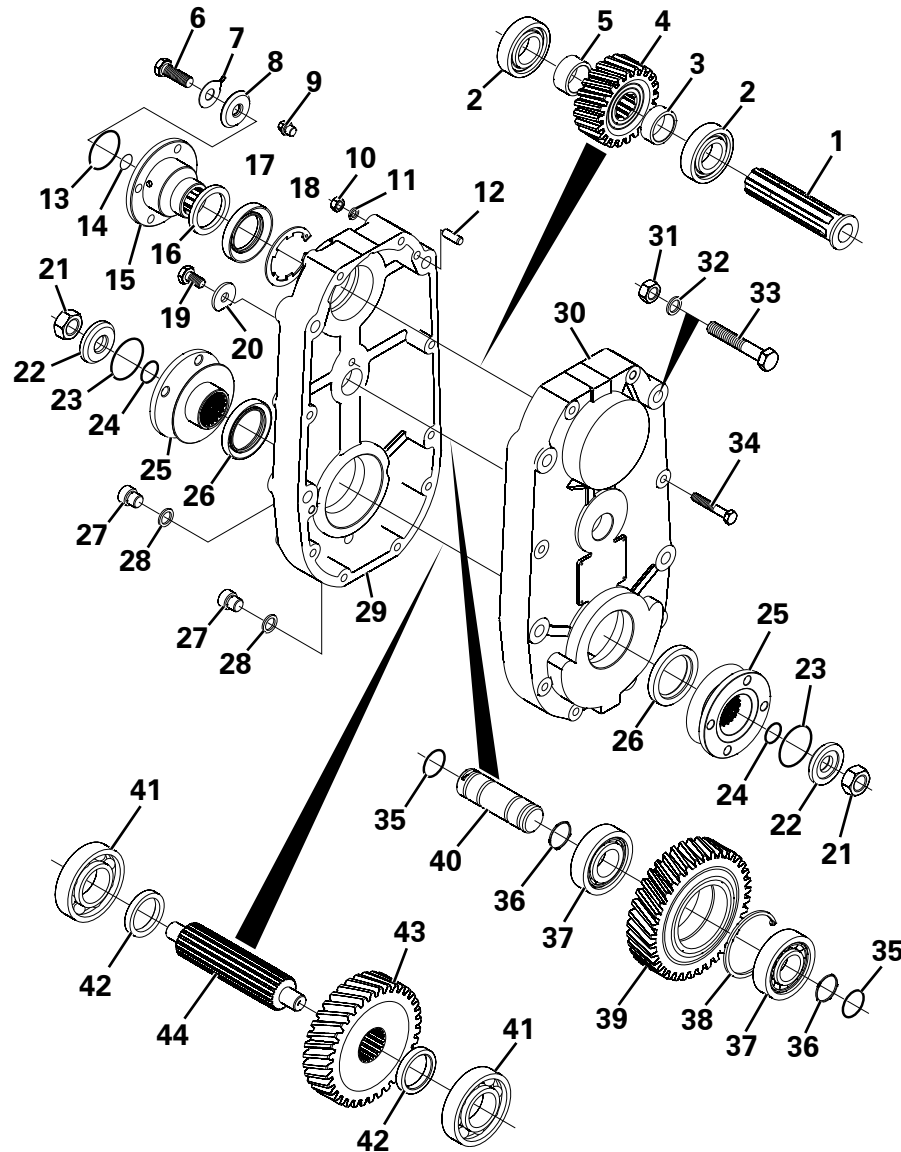
**REAR AXLE - DIFFERENTIAL**

Item	Part No.	Description	Qty	U/M
1	T53897	CYLINDER BOLT	2.0	EA
2	T53896	HEXAGON BOLT	2.0	EA
3	T53895	LOCKING PLATE	2.0	EA
4	T53898	RING NUT	2.0	EA
5	T53555	TAPER ROLLER BEARING	2.0	EA
6	T53616	BOLT	12.0	EA
7	T53894	BEVEL GEAR SET	1.0	EA
8	T53899	SPACER	1.0	EA
9	T53900	DIFFERENTIAL SIDE GEAR	2.0	EA
10	T53901	WASHER	2.0	EA
11	T53902	DIFFERENTIAL PINION	2.0	EA
12	T53903	DIFFERENTIAL SHAFT	1.0	EA
13	T53904	ROLL PIN	1.0	EA
14	T53905	FRICTION WASHER	1.0	EA
15	T53906	DIFFERENTIAL CARRIER	1.0	EA
16	T53558	BEARING	2.0	EA
17	T53579	SHIM	A/R	EA
	T53580	SHIM	A/R	EA
	T53581	SHIM	A/R	EA
18	T53630	SPACER	1.0	EA
19	T53748	RING	1.0	EA
	T53752	RING	1.0	EA
20	T53522	SEAL	1.0	EA
21	T53774	COVER PLATE	1.0	EA
22	T53764	FLANGE	1.0	EA
23	T53523	O RING	1.0	EA
24	T53893	WASHER	1.0	EA
25	T53598	BOLT	1.0	EA



**DROPBOX ASSEMBLY**

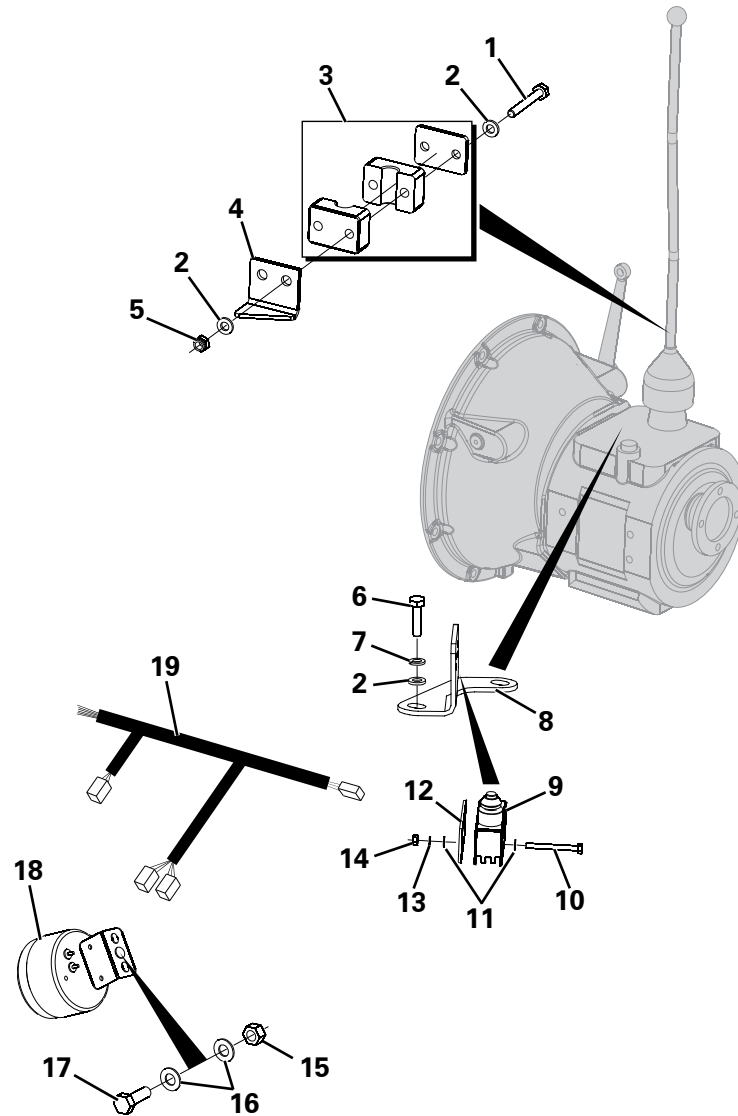
Item	Part No.	Description	Qty	U/M
A	T103421	DROPBOX	1.0	EA
1	T54079	SHAFT	1.0	EA
2	T54080	BALL BEARING	2.0	EA
3	T54082	SPACER	1.0	EA
4	T54081	GEAR	1.0	EA
5	T54083	SPACER	1.0	EA
6	T54069	HEXAGON BOLT	1.0	EA
7	T54068	STOP	1.0	EA
8	T54067	WASHER	1.0	EA
9	T54089	VENT	1.0	EA
10	T54087	NUT	8.0	EA
11	T54086	SPRING WASHER	8.0	EA
12	T54084	DOWEL	2.0	EA
13	T54065	O-RING	1.0	EA
14	T54066	O-RING	1.0	EA
15	T54064	FLANGE	1.0	EA
16	T54063	COVER PLATE	1.0	EA
17	T54062	SEAL	1.0	EA
18	T54088	CIRCLIP	1.0	EA
19	T54102	BOLT	1.0	EA
20	T54101	SPACER	1.0	EA
21	T54071	NUT	2.0	EA
22	T54072	WASHER	2.0	EA



**DROPOX ASSEMBLY**

Item	Part No.	Description	Qty	U/M
23	T54073	O-RING	2.0	EA
24	T54074	O-RING	2.0	EA
25	T54075	FLANGE	2.0	EA
26	T54076	SEAL	2.0	EA
27	T54090	GRUB BOLT	2.0	EA
28	T53570	SEAL WASHER	2.0	EA
29	T54085	COVER	1.0	EA
30	T54078	HOUSING	1.0	EA
31	T14283	PHILIDAS NUT	4.0	EA
32	T14748	HEAVY DUTY WASHER	4.0	EA
33	T101270	BOLT	4.0	EA
34	T54077	HEXAGON BOLT	8.0	EA
35	T54095	O-RING	2.0	EA
36	T54096	CIRCLIP	2.0	EA
37	T54097	BEARING	2.0	EA
38	T54098	CIRCLIP	1.0	EA
39	T54099	GEAR	1.0	EA
40	T54100	PIN	1.0	EA
41	T54091	BALL BEARING	2.0	EA
42	T54092	SPACER	2.0	EA
43	T54094	GEAR	1.0	EA
44	T54093	SHAFT	1.0	EA

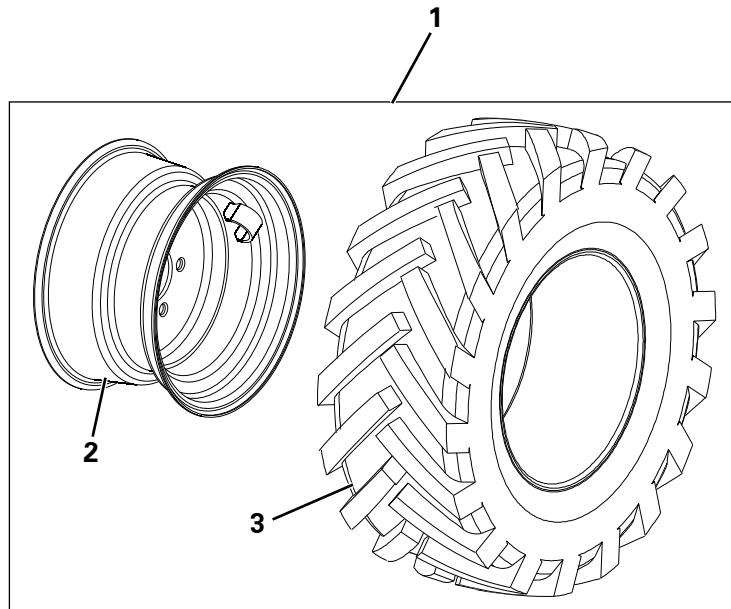
**REVERSE ALARM**



Item	Part No.	Description	Qty	U/M
1	T17155	BOLT	2.0	EA
2	T13911	WASHER	6.0	EA
3	T20411	PIPE CLAMP	1.0	EA
4	T20914	REVERSE ALARM ACTUATOR	1.0	EA
5	T16481	NYLOC NUT	2.0	EA
6	T16476	SET SCREW	2.0	EA
7	T14837	SPRING WASHER	2.0	EA
8	T103821	REVERSING SWITCH MOUNTING PLATE	1.0	EA
9	T104111	LIMIT SWITCH	1.0	EA
10	T13321	SET SCREW	2.0	EA
11	T11440	WASHER	4.0	EA
12	T13289	MICRO SWITCH BACKING PLATE	1.0	EA
13	T11439	SPRING WASHER	2.0	EA
14	T11447	NUT	2.0	EA
15	T13457	NYLOC NUT	1.0	EA
16	T12973	WASHER	2.0	EA
17	T12694	SET SCREW	1.0	EA
18	T101887	REVERSE ALARM	1.0	EA
19	T102219	REVERSE ALARM LOOM	1.0	EA

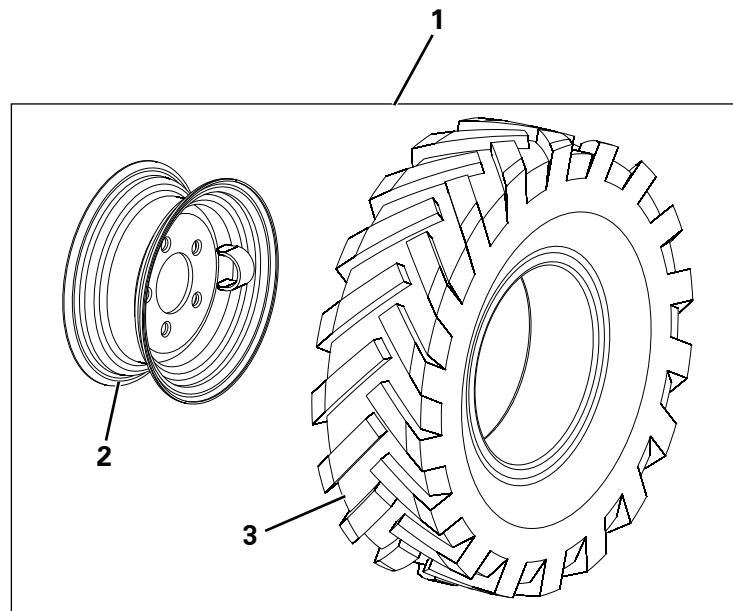
**WHEEL ASSEMBLY - TRAC GRIP**

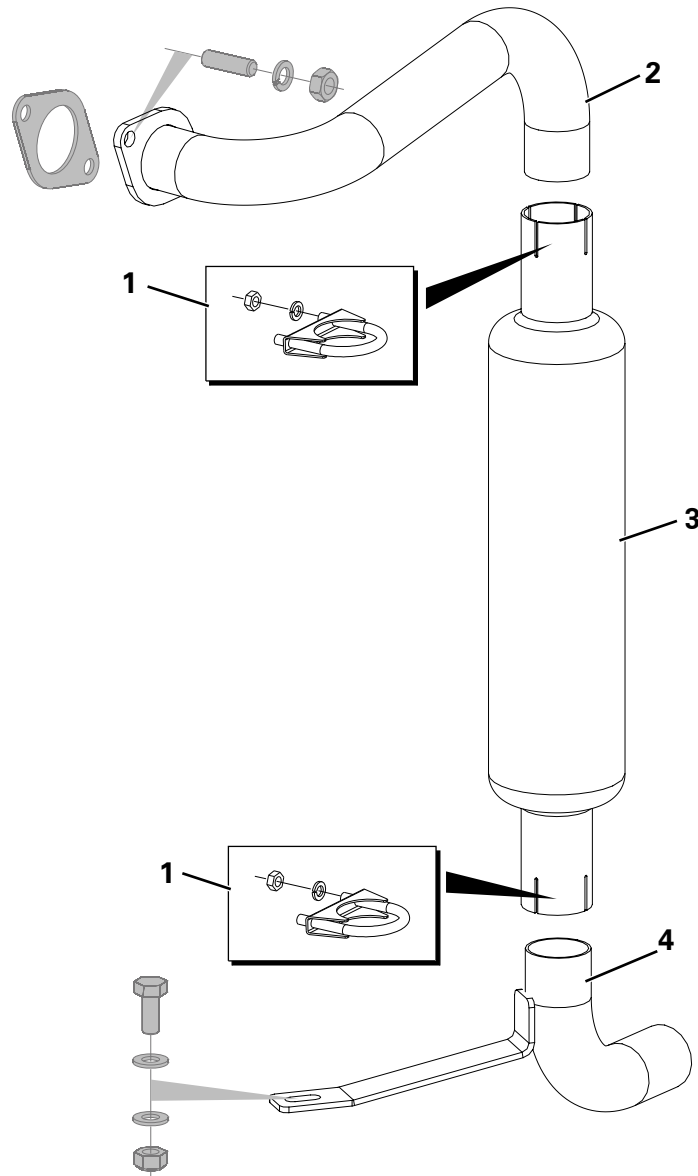
Item	Part No.	Description	Qty	U/M
1	T100945	WHEEL & TYRE ASSEMBLY	4.0	EA
2	T100944	WHEEL RIM	1.0	EA
3	T20966	TYRE	1.0	EA



**WHEEL ASSY - TRAC GRIP NARROW**

Item	Part No.	Description	Qty	U/M
1	T103635	WHEEL & TYRE ASSEMBLY	4.0	EA
2	T103633	WHEEL RIM	1.0	EA
3	T103634	TYRE	1.0	EA



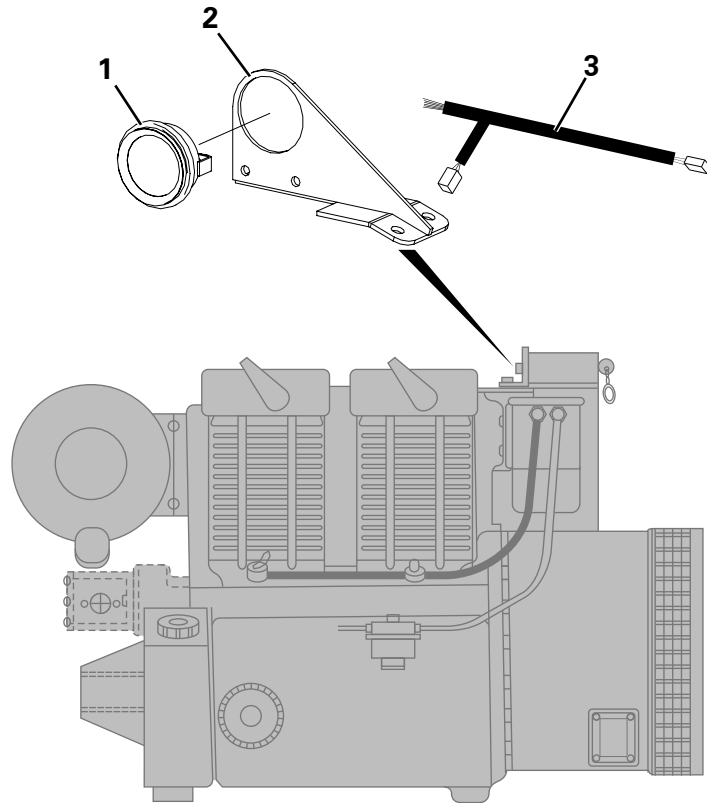


**EXHAUST SPARK ARRESTOR**

Item	Part No.	Description	Qty	U/M
1	T18834	EXHAUST CLAMP	2.0	EA
2	T104172	EXHAUST PIPE ASSEMBLY	1.0	EA
3	T104173	SPARK ARRESTOR	1.0	EA
4	T104174	TAIL PIPE ASSEMBLY	1.0	EA

**HOURLY METER KIT**

Item	Part No.	Description	Qty	U/M
1	T16538	HOURLY METER	1.0	EA
2	T20875	HOURLY METER BRACKET	1.0	EA
3	T20876	HOURLY METER SUB-HARNES	1.0	EA



**MODIFIED AND ADDITIONAL PARTS**

Old Part No.	Qty	Description	Page	Item	Prefix	Issue	New Part No.
ADDED	1.0	SET SCREW	06	14	-	01	T14078
ADDED	1.0	NUT	06	15	-	01	T14098
ADDED	1.0	CLUTCH STOP PLATE ASSY	06	16	-	01	T103618
T14098	1.0	NUT	06	15	-	02	T103626
T16500	4.0	SET SCREW	11	07	02	03	T7466
T103459	1.0	HYDRAULIC TANK ASSEMBLY	13	01	03	04	T103627
T103445	1.0	HYDRAULIC TANK	13	16	03	04	T103628
T103479	1.0	DIESEL TANK ASEMBLY	25	01	03	04	T103629
T103457	1.0	DIESEL TANK	25	04	03	04	T103630
T11101	1.0	CLUTCH ROD	06	11	03	05	T103575
T10810	2.0	SADDLE CLAMP	14	21	03	05	T12335
T11799	2.0	EXHAUST MOUNTING STUD	23	02	03	06	T17748
T9722	1.0	GAVANISED HANDBRAKE SPRING	26	15	03	07	T102310

**MODIFIED AND ADDITIONAL PARTS**

Old Part No.	Qty	Description	Page	Item	From Axle Serial No.	New Part No.
FRONT AXLE ASSMBLY (T102624)						
T53935	1.0	ROLL PIN	33	13	K-HUN-115501	DELETED
T53892	1.0	HOUSING	31	3	K-HUN-123309	T54137
T53921	12.0	HEXAGON BOLT	29	12	K-HUN-123309	T54138
ADDED	2.0	PLANET GEAR C/W SPACER	30	32	TBA	T54132
T53918	2.0	PLANET GEAR CARRIER	30	9	TBA	T54130
T53911	2.0	SPACER	30	25	TBA	T54131
T53871	2.0	CYLINDER BOLT	30	24	TBA	DELETED
T53914	2.0	WHEEL HUB	30	18	M-HUN-103700	T54139
T53869	2.0	HUB SEAL	30	16	M-HUN-103700	T54125
T53909	4.0	STUD	30	28	M-HUN-103700	T54140
T53908	4.0	NUT	30	29	M-HUN-103700	T54141
ADDED	1.0	SHIM	32	19	M-HUN-107104	T54186
ADDED	1.0	SHIM	32	19	M-HUN-107104	T54187
ADDED	2.0	SHIM	32	19	M-HUN-107104	T53579
ADDED	1.0	SHIM	32	19	M-HUN-107104	T54188
ADDED	2.0	SHIM	32	19	M-HUN-107104	T54190
T52523	1.0	O-RING	32	23	M-HUN-107104	T54191
T53630	1.0	SPACER	32	18	M-HUN-107104	T54192
T53748	1.0	RING	32	19	M-HUN-107104	DELETED
T53752	1.0	RING	32	19	M-HUN-107104	DELETED
T53522	1.0	SEAL	32	20	M-HUN-107604	T54196
T53906	1.0	DIFFERENTIAL CARRIER	32	15	M-HUN-116346	T54194

**MODIFIED AND ADDITIONAL PARTS**

Old Part No.	Qty	Description	Page	Item	From Axle Serial No.	New Part No.
REAR AXLE ASSEMBLY (T102625)						
T53892	1.0	HOUSING	36	3	K-HUN-123346	T54137
T53921	12.0	HEXAGON BOLT	34	12	K-HUN-123346	T54138
ADDED	2.0	PLANET GEAR CARRIER C/W SPACER	35	32	K-HUN-103899	T54132
T53918	2.0	PLANET GEAR CARRIER	34	9	K-HUN-103899	T54130
T53911	2.0	SPACER	35	25	K-HUN-103899	T54131
T53871	2.0	CYLINDER BOLT	35	24	K-HUN-103899	DELETED
T53909	4.0	STUD	35	28	TBA	T54140
T53908	4.0	NUT	35	29	TBA	T54141
T53914	2.0	WHEEL HUB	35	18	TBA	T54139
T53869	2.0	HUB SEAL	35	16	TBA	T54125
ADDED	1.0	SHIM	37	19	M-HUN-107642	T54186
ADDED	1.0	SHIM	37	19	M-HUN-107642	T54187
ADDED	2.0	SHIM	37	19	M-HUN-107642	T53579
ADDED	1.0	SHIM	37	19	M-HUN-107642	T54188
ADDED	2.0	SHIM	37	19	M-HUN-107642	T54190
T52523	1.0	O-RING	37	23	M-HUN-107642	T54191
T53630	1.0	SPACER	37	18	M-HUN-107642	T54192
T53748	1.0	RING	37	19	M-HUN-107642	DELETED
T53752	1.0	RING	37	19	M-HUN-107642	DELETED
T53522	1.0	SEAL	37	20	M-HUN-107642	T54196
T53906	1.0	DIFFERENTIAL CARRIER	37	15	M-HUN-118619	T54194

**MODIFIED AND ADDITIONAL PARTS**

Old Part No.	Qty	Description	Page	Item	Prefix	Issue	New Part No.
T11174	1.0	TIPPING RAM	15	05	04	09	T103577
T3153	1.0	SEAL KIT	15	06	04	09	T54166
T2973	1.0	PISTON ROD	15	07	04	09	T54175
T5020	2.0	GREASE NIPPLE	15	08	04	09	T53477
T3151	1.0	HEAD BUSH	15	09	04	09	T54167
T3166	1.0	SNAP RING	15	10	04	09	T54168
T3165	1.0	EXTERNAL CIRCLIP	15	11	04	09	T54179
T101097	1.0	RETURN FILTER	13	02	04	10	T104130
T52624	1.0	CAP	13	03	04	10	T54200
T52626	1.0	SEAL	13	05	04	10	T54201
T52628	1.0	LOWER CASING	13	08	04	10	T54202
T52629	1.0	SEAL	13	09	04	10	T54203
T53113	1.0	GASKET	13	13	04	10	T54204
T52496	1.0	FILLER/BREATHER	13	14	04	11	T104124
T5594	1.0	DOWTY WASHER	13	15	04	11	DELETED
T103414	1.0	REAR CHASSIS	01	24	05	12	T103710
T103413	1.0	FRONT CHASSIS	04	25	05	12	T103709
T10297	1.0	RAM PIN	16	04	05	12	T100361
T11175	1.0	STEERING RAM	16	05	05	12	T103578
T7581	1.0	PISTON ROD	16	07	05	12	T54227
T5053	2.0	GREASE NIPPLE	16	08	05	12	T53406
T7583	1.0	SEAL KIT	16	09	05	12	T53478
T7586	1.0	HEAD BUSH	16	11	05	12	T53479
T7589	2.0	PISTON HEAD	16	12	05	12	T53382
ADDED	1.0	RAM PIN	16	04	05	12	T100361
ADDED	1.0	RAM BODY ASSEMBLY	16	16	05	12	T54226
ADDED	1.0	HEX SOCKET SCREW	16	17	05	12	T54228
T51476	2.0	SPHERICAL BEARING	16	06	05	12	DELETED
T7584	1.0	WIPER HOUSING	16	10	05	12	DELETED
T7588	2.0	WASHER	16	13	05	12	DELETED
T3161	1.0	LOCKING NUT	16	14	05	12	DELETED
T10800	1.0	RAM PIN	16	15	05	12	DELETED

**MODIFIED AND ADDITIONAL PARTS**

Old Part No.	Qty	Description	Page	Item	Prefix	Issue	New Part No.
T10183	1.0	SKIP	03	01	05	13	T104085
T13457	2.0	NYLOC NUT	03	05	05	13	T19007
T8858	2.0	PIVOT PIN	03	08	05	13	T11355
T18549	1.0	SUB CHASSIS	03	09	05	13	T103700
T11420	2.0	SKIP PAD	03	10	05	13	DELETED
T11419	2.0	NUT	03	11	05	13	DELETED
T102735	1.0	SKIP STOP PAD	03	16	05	13	ADDED
T9926	2.0	BOLT	03	17	05	13	ADDED
T9928	2.0	NUT	03	18	05	13	ADDED
T18548	1.0	SUB FRAME	04	10	05	13	T103692
T18770	2.0	FRONT LOCATING PIN	04	24	05	13	T104076
T18794	1.0	HYD HOSE	14	26	05	13	T104098
T18793	1.0	HYD HOSE	14	27	05	13	T104099
ADDED	1.0	HYD HOSE	14	28	05	13	T104096
ADDED	1.0	HYD HOSE	14	29	05	13	T104097
ADDED	2.0	HYD ADAPTOR	14	30	05	13	T104100

**MODIFIED AND ADDITIONAL PARTS**

Old Part No.	Qty	Description	Page	Item	Prefix	Issue	New Part No.
--------------	-----	-------------	------	------	--------	-------	--------------

## Service and Warranty

Thwaites give a warranty which, subject to certain conditions, gives an assurance as to the quality of their product.

### The Thwaites warranty states:-

In the manufacture of Thwaites machines we endeavour to ensure that only the best workmanship and materials are used. Consequently, provided:-

1. The machine has been properly used in accordance with our recommendations and,
2. That no alterations have been made to the machine without prior written approval and,
3. That the machine has been maintained, serviced and lubricated in accordance with our recommendations and,
4. That Thwaites Warranty Certificate and/or New Machine Delivery Report has been completed and received by Thwaites within one month of delivery to the user.
5. That Thwaites receive a correctly completed Warranty Claim form within thirty days of the failure occurring.
6. **UK**  
That the alleged defective parts are returned to Thwaites within 6 weeks of date of failure.
7. **All other territories**  
That unless otherwise instructed the alleged defective parts are to be stored for inspection for a 6 month period from date of failure.

We will examine the alleged defective part and if we are reasonably satisfied that any defect is solely due to bad workmanship or materials, we will at our cost and at our option either repair any defective part or supply a replacement part in full discharge of all obligations upon us.

This warranty does not, however, extend to reconditioned or second-hand machines. For the avoidance of doubt, we will not entertain any other claims of a direct or consequential nature of whatsoever description and our responsibility is limited to the above.

The above warranty shall in no way detract from your statutory rights

#### Warranty

It is important to use only genuine Thwaites Limited spare parts and to adhere strictly to the conditions of operation and maintenance laid down by Thwaites Limited.

**Your warranty may be invalidated if you do not comply with the above recommendations.**